

SSD-C-LP Series Expansion Joint
Sizes 400 through 1200
(Slab-to-Wall)



MM[®]
SYSTEMS

50 MM WAY
 PENDERGRASS, GA. 30567
 706-824-7500 PHONE

www.mm.systems

For Spec-Data, Install Guides, and other data visit www.mm.systems

RIGHTS OF DESIGN

All rights of design, detail, engineering and/or invention contained herein are the property of MM Systems and hereby reserved and are not to be reproduced or provided to any other party. MM Systems reserves the right to amend or withdraw any information contained herein without notice and will not be liable for any inaccuracy or ambiguity of said information.

Split-Slab Dual Seismic Foam Seal System

SSD-C-LP Series (400-1200)

Drawn by:

LRM

Scale:

NTS

Drawing Number:

SHT. 1 OF 3

Issue Date:

07/10/2025




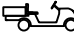

NY220324-02

SSD-C-LP SERIES EXPANSION JOINT MOVEMENT CHART

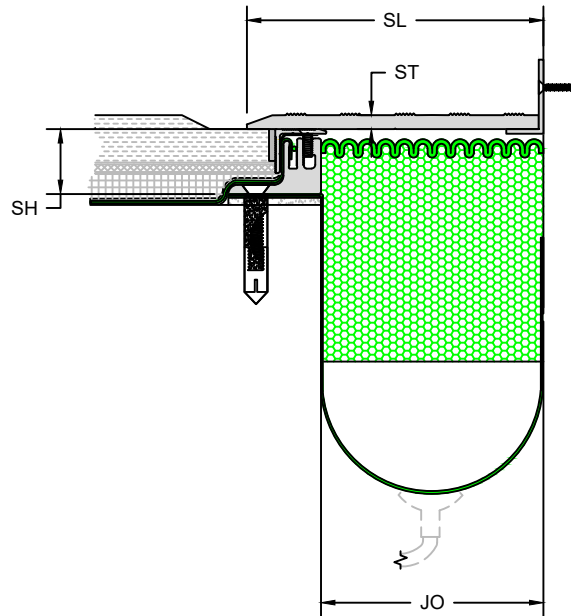
Model Number	Joint Opening (JO ^N)		Sight Line (SL ^N)		Thermal Movement (JO ^T)				Seismic Movement (JO ^S)				Total (JO ^A)		Slide Plate Thickness (ST)	
	Nominal		Nominal		Minimum		Maximum		Minimum		Maximum		Movement			
																
SSD-C-400-LP	4.00	102	5.75	146	3.00	76	5.00	127	3.00	76	5.00	127	2.00	51	0.25	6
SSD-C-500-LP	5.00	127	7.50	191	4.00	102	6.00	152	3.75	95	6.25	159	2.50	64	0.375	10
SSD-C-600-LP	6.00	152	8.00	203	5.00	127	7.00	178	4.50	114	7.50	191	3.00	76	0.375	10
SSD-C-700-LP	7.00	178	10.25	260	6.00	152	8.00	203	5.25	133	8.75	222	3.50	89	0.375	10
SSD-C-800-LP	8.00	203	10.75	273	7.00	178	9.00	229	6.00	152	10.00	254	4.00	102	0.375	10
SSD-C-900-LP	9.00	229	12.50	318	8.00	203	10.00	254	6.75	171	11.25	286	4.50	114	0.375	10
SSD-C-1000-LP	10.00	254	13.00	330	9.00	229	11.00	279	7.50	191	12.50	318	5.00	127	0.375	10
SSD-C-1100-LP	11.00	279	14.75	375	10.00	254	12.00	305	8.25	210	13.75	349	5.50	140	0.50	13
SSD-C-1200-LP	12.00	305	15.25	387	11.00	279	13.00	330	9.00	229	15.00	381	6.00	152	0.50	13

Dimension shown in **inches** (bold) and millimeters. Refer to the SSD-C-LP AutoCAD file for individual system drawings.

LOAD TABLE

	Auto (Low Speed)
	Passenger Cart
	Scissor Lift
	Maintenance Cart
	Safe Walking Surface

Note: The SSD-C loading capabilities shown above are based upon average equipment weights, wheel types and sizes. For project-specific loading capabilities, contact MM Systems with technical data related to wheel type, contact area (footprint), distributed load per wheel, and speed of traffic.



50 MM WAY
PENDERGRASS, GA. 30567
706-824-7500 PHONE

www.mm.systems

For Spec-Data, Install Guides, and other data visit www.mm.systems

RIGHTS OF DESIGN

All rights of design, detail, engineering and/or invention contained herein are the property of MM Systems and hereby reserved and are not to be reproduced or provided to any other party. MM Systems reserves the right to amend or withdraw any information contained herein without notice and will not be liable for any inaccuracy or ambiguity of said information.

Split-Slab Dual Seismic Foam Seal System

SSD-C-LP Series (400-1200)

Drawn by:

LRM

Scale:

NTS

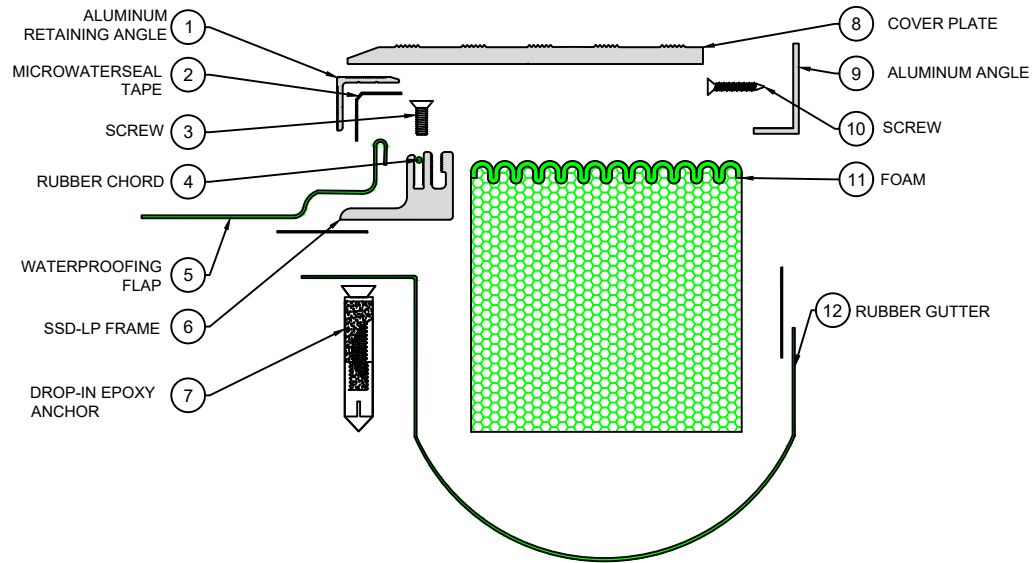
Drawing Number:

SHT. 2 OF 3

Issue Date:

07/10/2025

NY220324-02



EXPLODED VIEW ▲

▼ PART NUMBERS

Locator	Part Component	SSD-C-400-LP	SSD-C-500-LP	SSD-C-600-LP	SSD-C-700-LP	SSD-C-800-LP	SSD-C-900-LP	SSD-C-1000-LP	SSD-C-1100-LP	SSD-C-1200-LP
1	Aluminum Retaining Angle	7025-M-10	7025-M-10	7025-M-10	7025-M-10	7025-M-10	7025-M-10	7025-M-10	7025-M-10	7025-M-10
2	Microwaterseal Tape	Microwaterseal30X 2	Microwaterseal30X 2	Microwaterseal30X 2	Microwaterseal30X 2	Microwaterseal30X 2	Microwaterseal30X 2	Microwaterseal30X 2	Microwaterseal30X 2	Microwaterseal30X 2
3	Screw	9382	9382	9382	9382	9382	9382	9382	9382	9382
4	Rubber Chord	9457	9457	9457	9457	9457	9457	9457	9457	9457
5	Waterproofing Flap	9118-12	9118-12	9118-12	9118-12	9118-12	9118-12	9118-12	9118-12	9118-12
6	SSD-LP Frame	8360-M-10	8360-M-10	8360-M-10	8360-M-10	8360-M-10	8360-M-10	8360-M-10	8360-M-10	8360-M-10
7	Drop-In Epoxy Anchor	9039	9039	9039	9039	9039	9039	9039	9039	9039
8	Cover Plate	7146#0504-M-10	7147#0800-M-10	7147#0800-M-10	7148#1012-M-10	7148#1012-M-10	7149#1300-M-10	7149#1300-M-10	7150#1508-M-10	7150#1508-M-10
9	Aluminum Angle	8404-M-10	8404-M-10	8404-M-10	8404-M-10	8404-M-10	8404-M-10	8404-M-10	8404-M-10	8404-M-10
10	Screw	9405	9405	9405	9405	9405	9405	9405	9405	9405
11	Foam	7528-400	7528-500	7528-600	7528-700	7528-800	7528-900	7528-1000	7528-1100	7528-1200
12	Rubber Gutter	9109-14	9109-18	9109-18	9109-18	9109-24	9109-24	9109-24	9109-26	9109-26



50 MM WAY
PENDERGRASS, GA. 30567
706-824-7500 PHONE

www.mm.systems

For Spec-Data, Install Guides, and other data visit www.mm.systems

RIGHTS OF DESIGN

All rights of design, detail, engineering and/or invention contained herein are the property of MM Systems and hereby reserved and are not to be reproduced or provided to any other party. MM Systems reserves the right to amend or withdraw any information contained herein without notice and will not be liable for any inaccuracy or ambiguity of said information.

Split-Slab Dual Seismic Foam Seal System

SSD-C-LP Series (400-1200)

Drawn by: LRM	Scale: NTS	Drawing Number: NY220324-02
SHT. 3 OF 3	Issue Date: 07/10/2025	