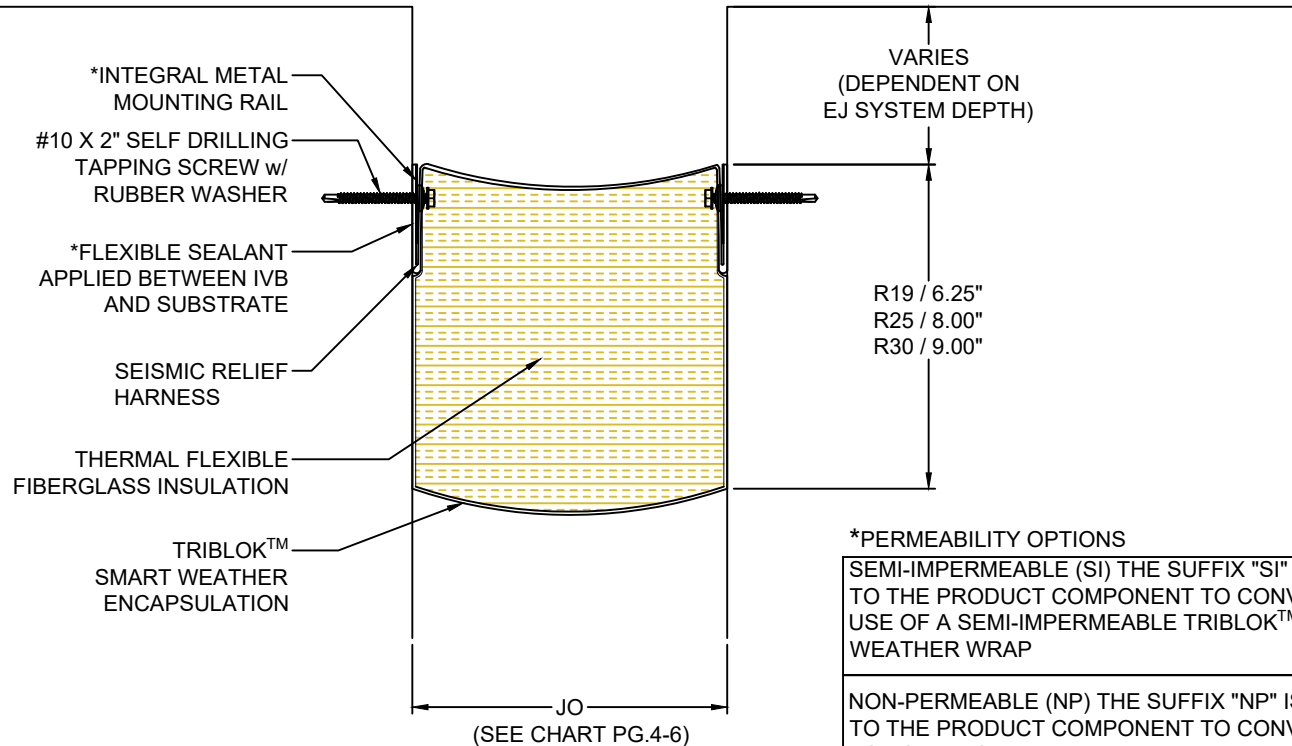


EXPANSION JOINT (EJ) COVER NOT SHOWN



**\*PERMEABILITY OPTIONS**

SEMI-IMPERMEABLE (SI) THE SUFFIX "SI" IS ADDED TO THE PRODUCT COMPONENT TO CONVEY THE USE OF A SEMI-IMPERMEABLE TRIBLOK™ SMART WEATHER WRAP

NON-PERMEABLE (NP) THE SUFFIX "NP" IS ADDED TO THE PRODUCT COMPONENT TO CONVEY THE USE OF A NON-PERMEABLE WEATHER WRAP VAPOR RETARDER

**\*ATTACHMENT METHODS**

IVB-100 THROUGH IVB-600 ATTACHES WITH 30 mil X 2" DOUBLE SIDED MIRCOWATERSEAL TAPE

IVB-700 THROUGH IVB-2000 ATTACHES WITH ANCHOR + INTEGRAL METAL MOUNTING RAIL AND FLEXIBLE SEALANT

**IVB SERIES  
INSULATED VAPOR BARRIER**  
100 through 2000  
(Horizontal / Roof)



**MM**<sup>®</sup>  
SYSTEMS

50 MM WAY  
PENDERGRASS, GA. 30567  
706-824-7500 PHONE

[www.mm.systems](http://www.mm.systems)

For Spec-Data, Install Guides, and other data visit [www.mm.systems](http://www.mm.systems)

**RIGHTS OF DESIGN**

All rights of design, detail, engineering and/or invention contained herein are the property of MM Systems and hereby reserved and are not to be reproduced or provided to any other party. MM Systems reserves the right to amend or withdraw any information contained herein without notice and will not be liable for any inaccuracy or ambiguity of said information.

**Insulated Vapor Barrier**

**IVB Series (Horizontal)**

Drawn by: LRM	Scale: NTS	Drawing Number:  <b>51000-01</b>
SHT. 1 OF 7	Issue Date: 05/17/2023	

**\*PERMEABILITY OPTIONS**

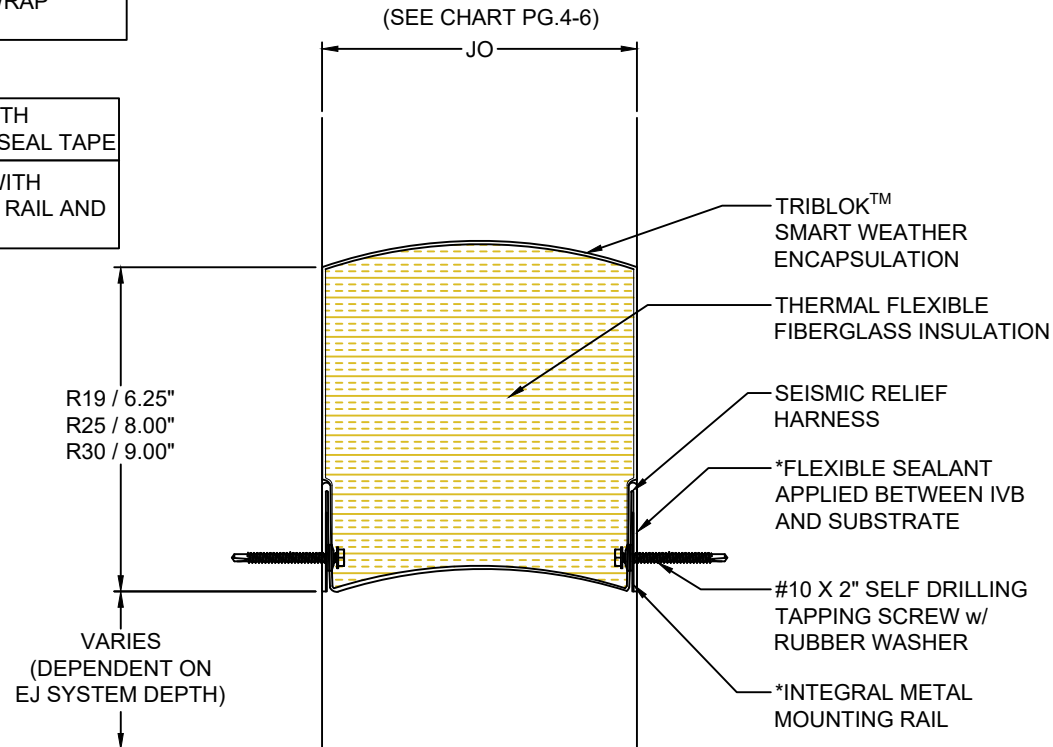
SEMI-IMPERMEABLE (SI) THE SUFFIX "SI" IS ADDED TO THE PRODUCT COMPONENT TO CONVEY THE USE OF A SEMI-IMPERMEABLE TRIBLOK™ SMART WEATHER WRAP

NON-PERMEABLE (NP) THE SUFFIX "NP" IS ADDED TO THE PRODUCT COMPONENT TO CONVEY THE USE OF A NON-PERMEABLE WEATHER WRAP VAPOR RETARDER

**\*ATTACHMENT METHODS**

IVB-100 THROUGH IVB-600 ATTACHES WITH 30 mil X 2" DOUBLE SIDED MIRCOWATERSEAL TAPE

IVB-700 THROUGH IVB-2000 ATTACHES WITH ANCHOR + INTEGRAL METAL MOUNTING RAIL AND FLEXIBLE SEALANT



EXPANSION JOINT (EJ) COVER NOT SHOWN

**IVB SERIES  
INSULATED VAPOR BARRIER**

100 through 2000  
(Vertical / Wall)



50 MM WAY  
PENDERGRASS, GA. 30567  
706-824-7500 PHONE

[www.mm.systems](http://www.mm.systems)

For Spec-Data, Install Guides, and other data visit [www.mm.systems](http://www.mm.systems)

**RIGHTS OF DESIGN**

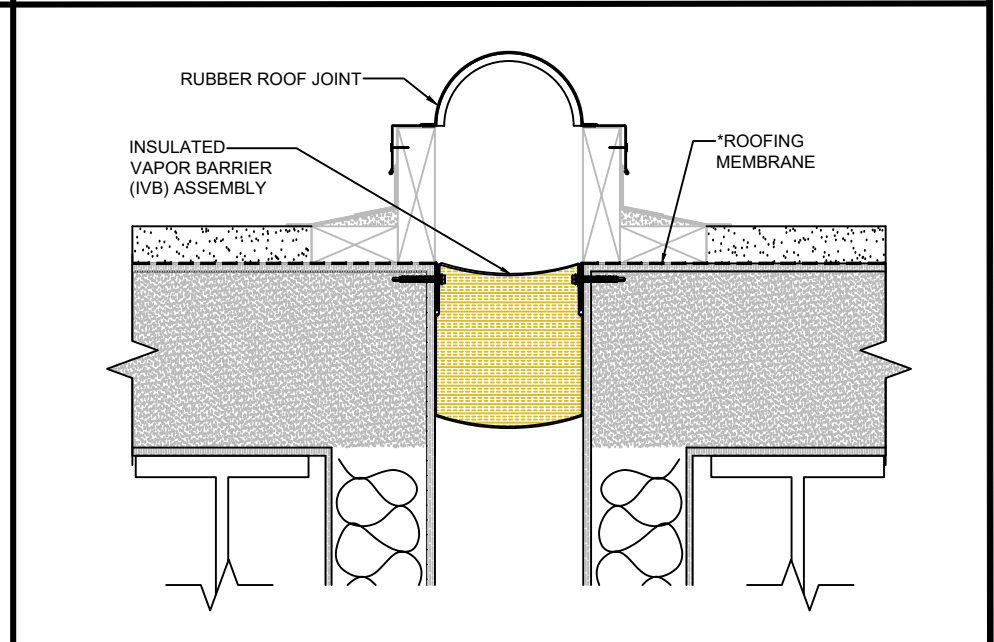
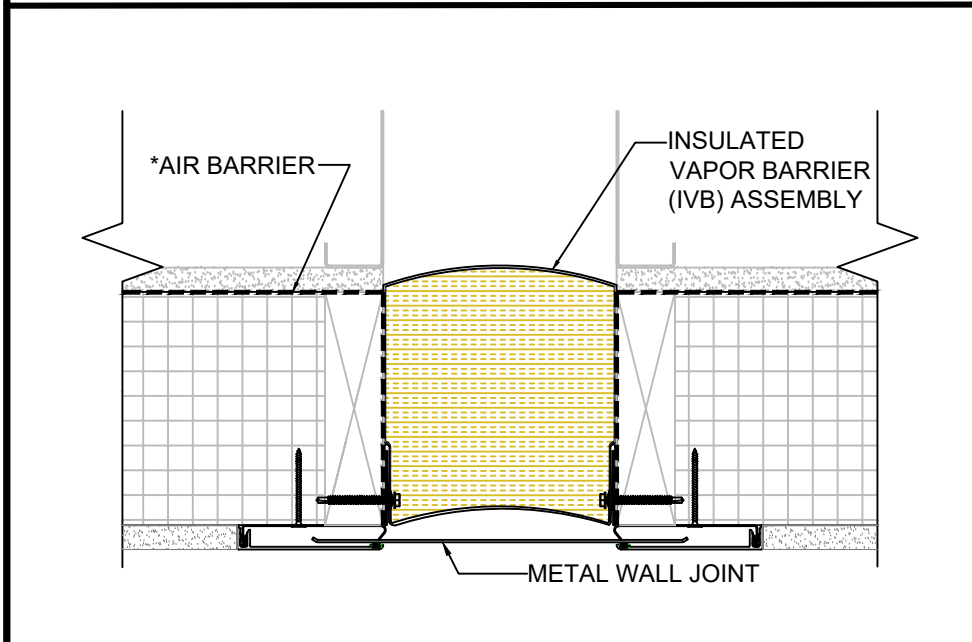
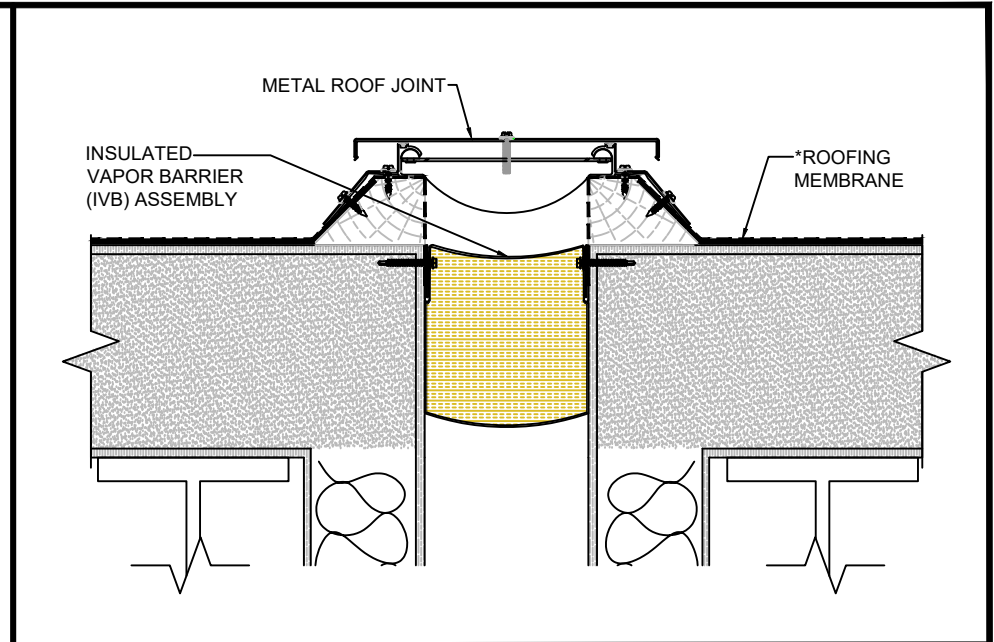
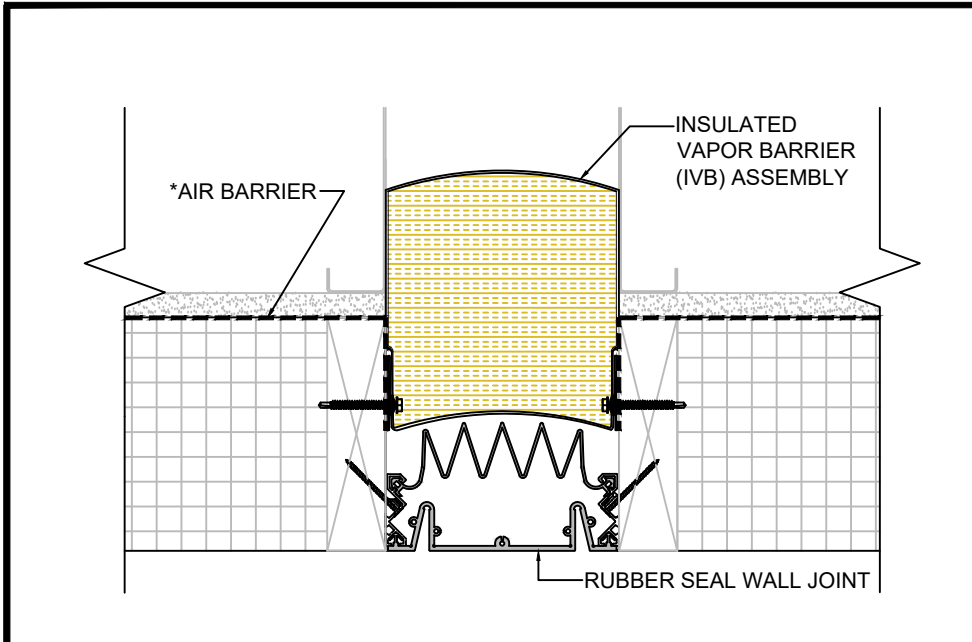
All rights of design, detail, engineering and/or invention contained herein are the property of MM Systems and hereby reserved and are not to be reproduced or provided to any other party. MM Systems reserves the right to amend or withdraw any information contained herein without notice and will not be liable for any inaccuracy or ambiguity of said information.

**Insulated Vapor Barrier**

**IVB Series (Vertical)**

Drawn by: LRM	Scale: NTS	Drawing Number:  <b>51000-02</b>
SHT. 2 OF 7	Issue Date: 05/17/2023	

\*AIR BARRIER & ROOFING MEMBRANE LOCATION IS FOR REFERENCE ONLY AND MAY BE RELOCATED BASED ON PROJECT SPECIFIC REQUIREMENTS.



50 MM WAY  
PENDERGRASS, GA. 30567  
706-824-7500 PHONE

[www.mm.systems](http://www.mm.systems)

For Spec-Data, Install Guides, and other data visit [www.mm.systems](http://www.mm.systems)

### RIGHTS OF DESIGN

All rights of design, detail, engineering and/or invention contained herein are the property of MM Systems and hereby reserved and are not to be reproduced or provided to any other party. MM Systems reserves the right to amend or withdraw any information contained herein without notice and will not be liable for any inaccuracy or ambiguity of said information.

### Insulated Vapor Barrier

## IVB Series Installations Examples

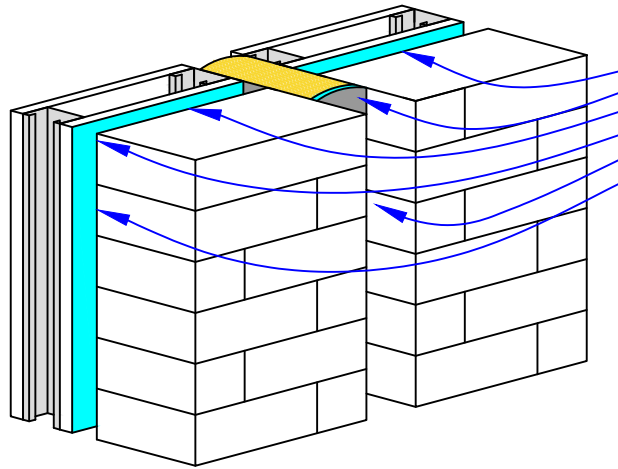
Drawn by: LRM	Scale: NTS	Drawing Number:
SHT. 3 OF 7	Issue Date: 05/17/2023	<b>51000-03</b>

R19

## IVB SERIES MOVEMENT CHART

Model Number	Joint Opening (JO <sup>N</sup> )		Thermal Movement (JO <sup>T</sup> )				Seismic Movement (JO <sup>S</sup> )				Total Movement (JO <sup>A</sup> )	
	Nominal		Minimum		Maximum		Minimum		Maximum			
	IVB-100-R19	<b>1.00</b>	25	<b>0.50</b>	13	<b>1.50</b>	38	<b>0.50</b>	13	<b>1.50</b>	38	<b>1.00</b>
IVB-200-R19	<b>2.00</b>	51	<b>1.00</b>	25	<b>3.00</b>	76	<b>1.00</b>	25	<b>3.00</b>	76	<b>2.00</b>	51
IVB-300-R19	<b>3.00</b>	76	<b>1.50</b>	38	<b>4.50</b>	114	<b>1.50</b>	38	<b>4.50</b>	114	<b>3.00</b>	76
IVB-400-R19	<b>4.00</b>	102	<b>2.00</b>	51	<b>6.00</b>	152	<b>2.00</b>	51	<b>6.00</b>	152	<b>4.00</b>	102
IVB-500-R19	<b>5.00</b>	127	<b>3.00</b>	76	<b>7.00</b>	178	<b>2.50</b>	64	<b>7.50</b>	191	<b>5.00</b>	127
IVB-600-R19	<b>6.00</b>	152	<b>4.00</b>	102	<b>8.00</b>	203	<b>3.00</b>	76	<b>9.00</b>	229	<b>6.00</b>	152
IVB-700-R19	<b>7.00</b>	178	<b>5.00</b>	127	<b>9.00</b>	229	<b>3.50</b>	89	<b>10.50</b>	267	<b>7.00</b>	178
IVB-800-R19	<b>8.00</b>	203	<b>6.00</b>	152	<b>10.00</b>	254	<b>4.00</b>	102	<b>12.00</b>	305	<b>8.00</b>	203
IVB-900-R19	<b>9.00</b>	229	<b>7.00</b>	178	<b>11.00</b>	279	<b>4.50</b>	114	<b>13.50</b>	343	<b>9.00</b>	229
IVB-1000-R19	<b>10.00</b>	254	<b>8.00</b>	203	<b>12.00</b>	305	<b>5.00</b>	127	<b>15.00</b>	381	<b>10.00</b>	254
IVB-1200-R19	<b>12.00</b>	305	<b>10.00</b>	254	<b>14.00</b>	356	<b>6.00</b>	152	<b>18.00</b>	457	<b>12.00</b>	305
IVB-1400-R19	<b>14.00</b>	356	<b>12.00</b>	305	<b>16.00</b>	406	<b>7.00</b>	178	<b>21.00</b>	533	<b>14.00</b>	356
IVB-1600-R19	<b>16.00</b>	406	<b>14.00</b>	356	<b>18.00</b>	457	<b>8.00</b>	203	<b>24.00</b>	610	<b>16.00</b>	406
IVB-1800-R19	<b>18.00</b>	457	<b>16.00</b>	406	<b>20.00</b>	508	<b>9.00</b>	229	<b>27.00</b>	686	<b>18.00</b>	457
IVB-2000-R19	<b>20.00</b>	508	<b>18.00</b>	457	<b>22.00</b>	559	<b>10.00</b>	254	<b>30.00</b>	762	<b>20.00</b>	508

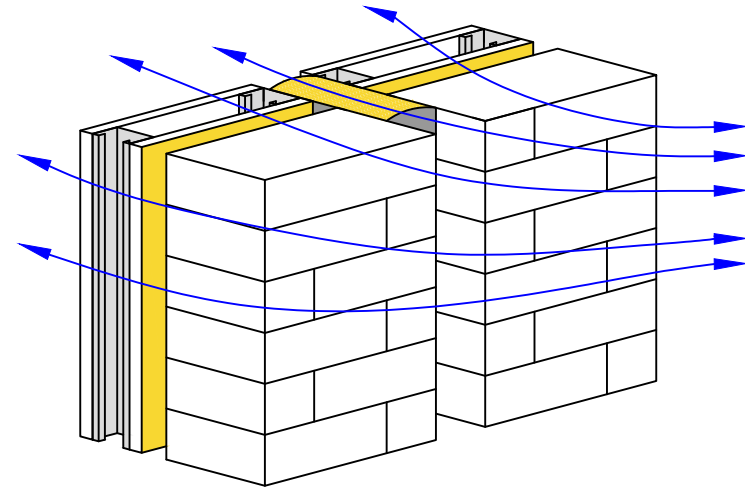
Dimension shown in inches (**bold**) and millimeters.



### NON-PERMEABLE (NP)

The suffix NP is added to the product COMPONENT to convey the use of a Non-Permeable Weather Wrap Vapor Retarder with a <0.1 perm rating (ASTM E96) that minimizes all vapor diffusion and is coupled with fungi-resistant fiberglass insulation.

Model COMPONENT Example: **IVB-800-R19-NP**



### SEMI-IMPERMEABLE (SI)

The suffix SI is added to the product COMPONENT to convey the use of a Semi-Impermeable TriBlok™ Smart Weather Wrap that is breathable with a 0.64 perm rating (ASTM E96) coupled with fungi-resistant fiberglass insulation.

Model COMPONENT Example: **IVB-800-R19-SI**



50 MM WAY  
PENDERGRASS, GA. 30567  
706-824-7500 PHONE

[www.mm.systems](http://www.mm.systems)

For Spec-Data, Install Guides, and other data visit [www.mm.systems](http://www.mm.systems)

### RIGHTS OF DESIGN

All rights of design, detail, engineering and/or invention contained herein are the property of MM Systems and hereby reserved and are not to be reproduced or provided to any other party. MM Systems reserves the right to amend or withdraw any information contained herein without notice and will not be liable for any inaccuracy or ambiguity of said information.

### Insulated Vapor Barrier

#### IVB R19 Series Movement Chart

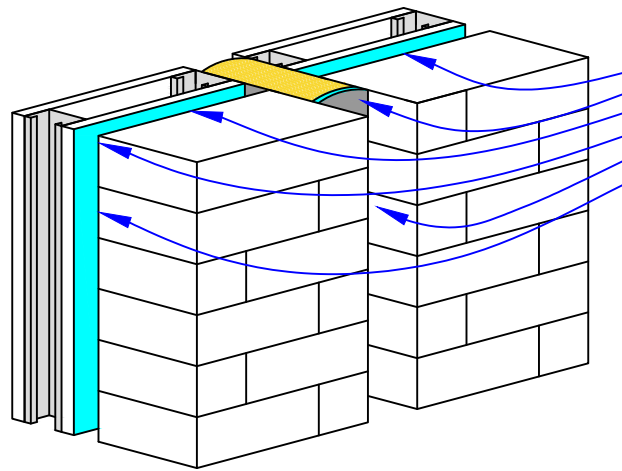
Drawn by: <b>LRM</b>	Scale: <b>NTS</b>	Drawing Number:
SHT. 4 OF 7	Issue Date: <b>05/17/2023</b>	<b>51000-04</b>

R25

## IVB SERIES MOVEMENT CHART

Model Number	Joint Opening (JO <sup>N</sup> )		Thermal Movement (JO <sup>T</sup> )				Seismic Movement (JO <sup>S</sup> )				Total Movement (JO <sup>A</sup> )	
	Nominal		Minimum		Maximum		Minimum		Maximum			
	IVB-100-R25	<b>1.00</b>	25	<b>0.50</b>	13	<b>1.50</b>	38	<b>0.50</b>	13	<b>1.50</b>	38	<b>1.00</b>
IVB-200-R25	<b>2.00</b>	51	<b>1.00</b>	25	<b>3.00</b>	76	<b>1.00</b>	25	<b>3.00</b>	76	<b>2.00</b>	51
IVB-300-R25	<b>3.00</b>	76	<b>1.50</b>	38	<b>4.50</b>	114	<b>1.50</b>	38	<b>4.50</b>	114	<b>3.00</b>	76
IVB-400-R25	<b>4.00</b>	102	<b>2.00</b>	51	<b>6.00</b>	152	<b>2.00</b>	51	<b>6.00</b>	152	<b>4.00</b>	102
IVB-500-R25	<b>5.00</b>	127	<b>3.00</b>	76	<b>7.00</b>	178	<b>2.50</b>	64	<b>7.50</b>	191	<b>5.00</b>	127
IVB-600-R25	<b>6.00</b>	152	<b>4.00</b>	102	<b>8.00</b>	203	<b>3.00</b>	76	<b>9.00</b>	229	<b>6.00</b>	152
IVB-700-R25	<b>7.00</b>	178	<b>5.00</b>	127	<b>9.00</b>	229	<b>3.50</b>	89	<b>10.50</b>	267	<b>7.00</b>	178
IVB-800-R25	<b>8.00</b>	203	<b>6.00</b>	152	<b>10.00</b>	254	<b>4.00</b>	102	<b>12.00</b>	305	<b>8.00</b>	203
IVB-900-R25	<b>9.00</b>	229	<b>7.00</b>	178	<b>11.00</b>	279	<b>4.50</b>	114	<b>13.50</b>	343	<b>9.00</b>	229
IVB-1000-R25	<b>10.00</b>	254	<b>8.00</b>	203	<b>12.00</b>	305	<b>5.00</b>	127	<b>15.00</b>	381	<b>10.00</b>	254
IVB-1200-R25	<b>12.00</b>	305	<b>10.00</b>	254	<b>14.00</b>	356	<b>6.00</b>	152	<b>18.00</b>	457	<b>12.00</b>	305
IVB-1400-R25	<b>14.00</b>	356	<b>12.00</b>	305	<b>16.00</b>	406	<b>7.00</b>	178	<b>21.00</b>	533	<b>14.00</b>	356
IVB-1600-R25	<b>16.00</b>	406	<b>14.00</b>	356	<b>18.00</b>	457	<b>8.00</b>	203	<b>24.00</b>	610	<b>16.00</b>	406
IVB-1800-R25	<b>18.00</b>	457	<b>16.00</b>	406	<b>20.00</b>	508	<b>9.00</b>	229	<b>27.00</b>	686	<b>18.00</b>	457
IVB-2000-R25	<b>20.00</b>	508	<b>18.00</b>	457	<b>22.00</b>	559	<b>10.00</b>	254	<b>30.00</b>	762	<b>20.00</b>	508

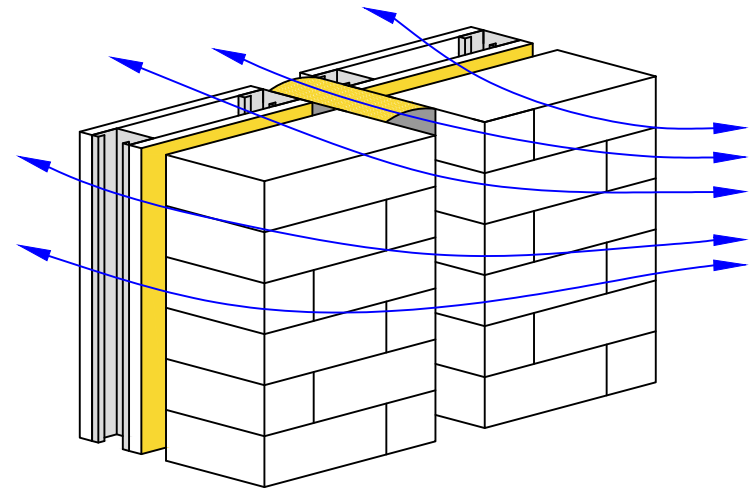
Dimension shown in inches (**bold**) and millimeters.



**NON-PERMEABLE (NP)**

The suffix NP is added to the product COMPONENT to convey the use of a Non-Permeable Weather Wrap Vapor Retarder with a <0.1 perm rating (ASTM E96) that minimizes all vapor diffusion and is coupled with fungi-resistant fiberglass insulation.

Model COMPONENT Example: **IVB-800-R25-NP**



**SEMI-IMPERMEABLE (SI)**

The suffix SI is added to the product COMPONENT to convey the use of a Semi-Impermeable TriBlok™ Smart Weather Wrap that is breathable with a 0.64 perm rating (ASTM E96) coupled with fungi-resistant fiberglass insulation.

Model COMPONENT Example: **IVB-800-R25-SI**



50 MM WAY  
PENDERGRASS, GA. 30567  
706-824-7500 PHONE

[www.mm.systems](http://www.mm.systems)

For Spec-Data, Install Guides, and other data visit [www.mm.systems](http://www.mm.systems)

**RIGHTS OF DESIGN**

All rights of design, detail, engineering and/or invention contained herein are the property of MM Systems and hereby reserved and are not to be reproduced or provided to any other party. MM Systems reserves the right to amend or withdraw any information contained herein without notice and will not be liable for any inaccuracy or ambiguity of said information.

**Insulated Vapor Barrier**

**IVB R25 Series Movement Chart**

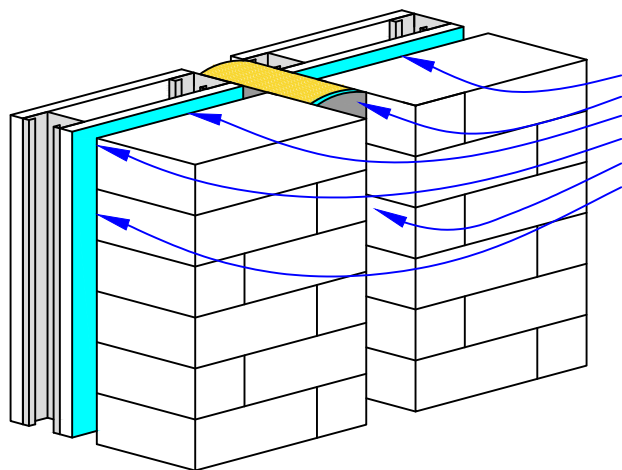
Drawn by: <b>LRM</b>	Scale: <b>NTS</b>	Drawing Number:
SHT. 5 OF 7	Issue Date: <b>05/17/2023</b>	<b>51000-05</b>

R30

# IVB SERIES MOVEMENT CHART

Model Number	Joint Opening (JO <sup>N</sup> )		Thermal Movement (JO <sup>T</sup> )				Seismic Movement (JO <sup>S</sup> )				Total Movement (JO <sup>A</sup> )	
	Nominal		Minimum		Maximum		Minimum		Maximum			
	in	mm	in	mm	in	mm	in	mm	in	mm	in	mm
IVB-100-R30	1.00	25	0.50	13	1.50	38	0.50	13	1.50	38	1.00	25
IVB-200-R30	2.00	51	1.00	25	3.00	76	1.00	25	3.00	76	2.00	51
IVB-300-R30	3.00	76	1.50	38	4.50	114	1.50	38	4.50	114	3.00	76
IVB-400-R30	4.00	102	2.00	51	6.00	152	2.00	51	6.00	152	4.00	102
IVB-500-R30	5.00	127	3.00	76	7.00	178	2.50	64	7.50	191	5.00	127
IVB-600-R30	6.00	152	4.00	102	8.00	203	3.00	76	9.00	229	6.00	152
IVB-700-R30	7.00	178	5.00	127	9.00	229	3.50	89	10.50	267	7.00	178
IVB-800-R30	8.00	203	6.00	152	10.00	254	4.00	102	12.00	305	8.00	203
IVB-900-R30	9.00	229	7.00	178	11.00	279	4.50	114	13.50	343	9.00	229
IVB-1000-R30	10.00	254	8.00	203	12.00	305	5.00	127	15.00	381	10.00	254
IVB-1200-R30	12.00	305	10.00	254	14.00	356	6.00	152	18.00	457	12.00	305
IVB-1400-R30	14.00	356	12.00	305	16.00	406	7.00	178	21.00	533	14.00	356
IVB-1600-R30	16.00	406	14.00	356	18.00	457	8.00	203	24.00	610	16.00	406
IVB-1800-R30	18.00	457	16.00	406	20.00	508	9.00	229	27.00	686	18.00	457
IVB-2000-R30	20.00	508	18.00	457	22.00	559	10.00	254	30.00	762	20.00	508

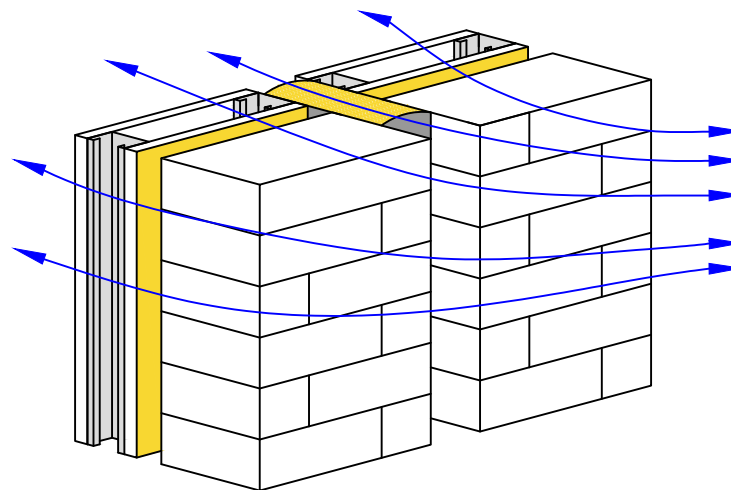
Dimension shown in inches (**bold**) and millimeters.



**NON-PERMEABLE (NP)**

The suffix NP is added to the product COMPONENT to convey the use of a Non-Permeable Weather Wrap Vapor Retarder with a <0.1 perm rating (ASTM E96) that minimizes all vapor diffusion and is coupled with fungi-resistant fiberglass insulation.

Model COMPONENT Example: **IVB-800-R30-NP**



**SEMI-IMPERMEABLE (SI)**

The suffix SI is added to the product COMPONENT to convey the use of a Semi-Impermeable TriBlok™ Smart Weather Wrap that is breathable with a 0.64 perm rating (ASTM E96) coupled with fungi-resistant fiberglass insulation.

Model COMPONENT Example: **IVB-800-R30-SI**



50 MM WAY  
PENDERGRASS, GA. 30567  
706-824-7500 PHONE

[www.mm.systems](http://www.mm.systems)

For Spec-Data, Install Guides, and other data visit [www.mm.systems](http://www.mm.systems)

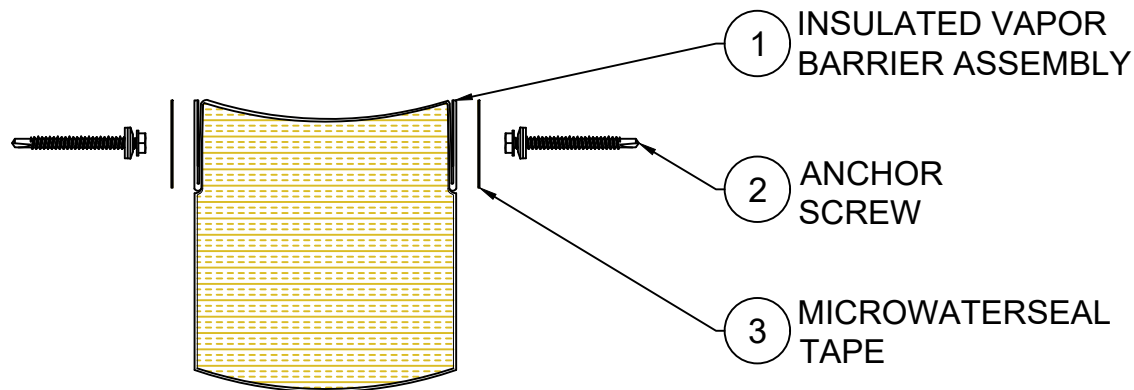
**RIGHTS OF DESIGN**

All rights of design, detail, engineering and/or invention contained herein are the property of MM Systems and hereby reserved and are not to be reproduced or provided to any other party. MM Systems reserves the right to amend or withdraw any information contained herein without notice and will not be liable for any inaccuracy or ambiguity of said information.

**Insulated Vapor Barrier**

**IVB R30 Series Movement Chart**

Drawn by: <b>LRM</b>	Scale: <b>NTS</b>	Drawing Number:
SHT. 6 OF 7	Issue Date: <b>05/17/2023</b>	<b>51000-06</b>



\*IVB-100 THROUGH IVB-600 ATTACHES WITH 30 mil X 2" DOUBLE SIDED MIRCOWATERSEAL TAPE

\*IVB-700 THROUGH IVB-2000 ATTACHES WITH ANCHOR + INTEGRAL METAL MOUNTING RAIL

**EXPLODED VIEW ▲**

**PART NUMBERS ▼**

LOCATOR	PART COMPONENT	IVB-100	IVB-200	IVB-300	IVB-400	IVB-500	IVB-600	IVB-700	IVB-800	IVB-900	IVB-1000	IVB-1200	IVB-1400	IVB-1600	IVB-1800	IVB-2000
1	R19 IVB ASSEMBLY	ASSY-IVB0100 R19	ASSY-IVB0200 R19	ASSY-IVB0300 R19	ASSY-IVB0400 R19	ASSY-IVB0500 R19	ASSY-IVB0600 R19	ASSY-IVB0700 R19	ASSY-IVB0800 R19	ASSY-IVB0900 R19	ASSY-IVB1000 R19	ASSY-IVB1200 R19	ASSY-IVB1400 R19	ASSY-IVB1600 R19	ASSY-IVB1800 R19	ASSY-IVB2000 R19
1	R25 IVB ASSEMBLY	ASSY-IVB0100 R25	ASSY-IVB0200 R25	ASSY-IVB0300 R25	ASSY-IVB0400 R25	ASSY-IVB0500 R25	ASSY-IVB0600 R25	ASSY-IVB0700 R25	ASSY-IVB0800 R25	ASSY-IVB0900 R25	ASSY-IVB1000 R25	ASSY-IVB1200 R25	ASSY-IVB1400 R25	ASSY-IVB1600 R25	ASSY-IVB1800 R25	ASSY-IVB2000 R25
1	R30 IVB ASSEMBLY	ASSY-IVB0100 R30	ASSY-IVB0200 R30	ASSY-IVB0300 R30	ASSY-IVB0400 R30	ASSY-IVB0500 R30	ASSY-IVB0600 R30	ASSY-IVB0700 R30	ASSY-IVB0800 R30	ASSY-IVB0900 R30	ASSY-IVB1000 R30	ASSY-IVB1200 R30	ASSY-IVB1400 R30	ASSY-IVB1600 R30	ASSY-IVB1800 R30	ASSY-IVB2000 R30
2	ANCHOR SCREW	-	-	-	-	-	-	7027	7027	7027	7027	7027	7027	7027	7027	7027
3	MICROWATERSEAL TAPE	Microwatersea I30X2	Microwatersea I30X2	Microwatersea I30X2	Microwatersea I30X2	Microwatersea I30X2	Microwatersea I30X2	-	-	-	-	-	-	-	-	-



50 MM WAY  
PENDERGRASS, GA. 30567  
706-824-7500 PHONE

[www.mm.systems](http://www.mm.systems)

For Spec-Data, Install Guides, and other data visit [www.mm.systems](http://www.mm.systems)

**RIGHTS OF DESIGN**

All rights of design, detail, engineering and/or invention contained herein are the property of MM Systems and hereby reserved and are not to be reproduced or provided to any other party. MM Systems reserves the right to amend or withdraw any information contained herein without notice and will not be liable for any inaccuracy or ambiguity of said information.

**Insulated Vapor Barrier**

**IVB Series Part Numbers**

Drawn by: LRM	Scale: NTS	Drawing Number:  <b>51000-07</b>
SHT. 7 OF 7	Issue Date: 05/17/2023	