

SCS Series Expansion Joint

Sizes 200 through 1200
(Slab-to-Slab)



50 MM WAY
PENDERGRASS, GA. 30567
706-824-7500 PHONE

www.mm.systems

For Spec-Data, Install Guides, and other data visit www.mm.systems

RIGHTS OF DESIGN

All rights of design, detail, engineering and/or invention contained herein are the property of MM Systems and hereby reserved and are not to be reproduced or provided to any other party. MM Systems reserves the right to amend or withdraw any information contained herein without notice and will not be liable for any inaccuracy or ambiguity of said information.

Split Slab Covered Seismic System

SCS Series (200-1200)

Drawn by:
LRM

Scale:
NTS

Drawing Number:

SHT. 1 OF 3





Issue Date:
02/24/2026

31075-01

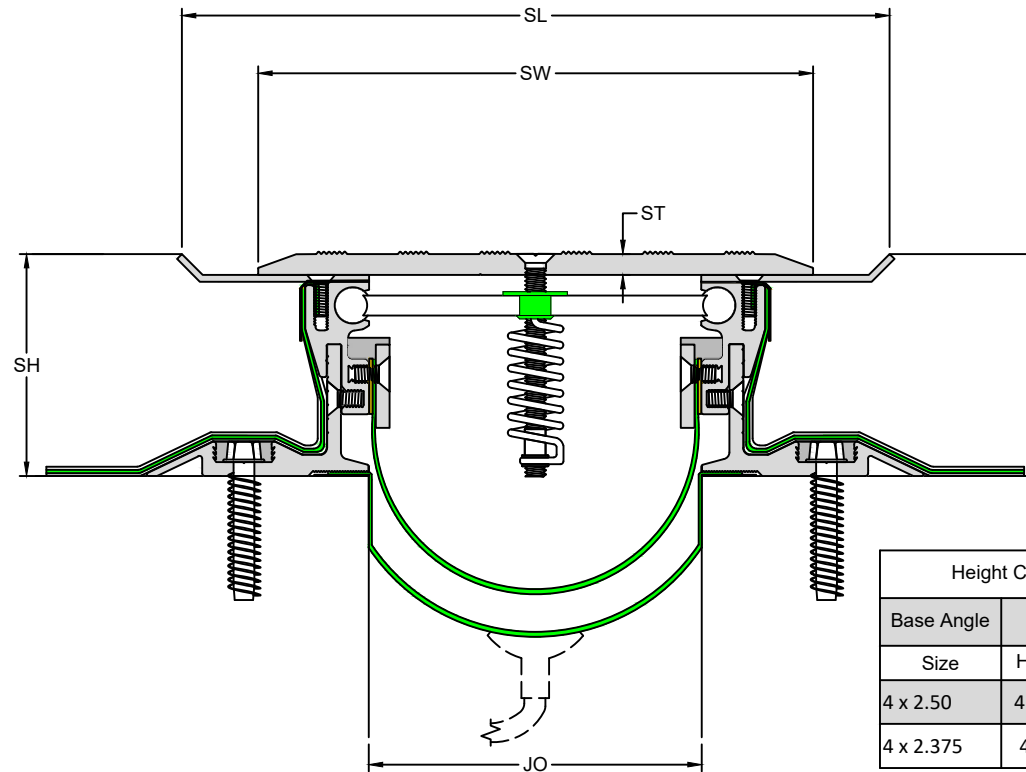
SCS SERIES EXPANSION JOINT MOVEMENT CHART

Model Number	Joint Opening (JO ^N)		Sight Line (SL ^N)		Thermal Movement (JO ^T)				Seismic Movement (JO ^S)				Total (JO ^A)		Slide Plate Thickness (ST)	
	Nominal		Nominal		Minimum		Maximum		Minimum		Maximum		Movement			
SCS-200	2.00	51	6.00	152	1.00	25	3.00	76	1.00	25	3.00	76	2.00	51	0.25	6
SCS-400	4.00	102	10.00	254	2.00	51	6.00	152	2.00	51	6.00	152	4.00	102	0.25	6
SCS-600	6.00	152	12.75	324	4.00	102	8.00	203	3.00	76	9.00	229	6.00	152	0.38	10
SCS-800	8.00	203	16.25	413	6.00	152	10.00	254	4.00	102	12.00	305	8.00	203	0.38	10
SCS-1000	10.00	254	18.75	476	8.00	203	12.00	305	5.00	127	15.00	381	10.00	254	0.38	10
SCS-1200	12.00	305	21.25	540	10.00	254	14.00	356	6.00	152	18.00	457	12.00	305	0.50	13

Dimension shown in **inches** (bold) and millimeters. Refer to the SCS AutoCAD file for individual system drawings.

LOAD TABLE	
	Extreme Weather
	Auto (Low Speed)
	Safe Walking Surface
	Passenger Cart

Note: The SCS loading capabilities shown above are based upon average equipment weights, wheel types and sizes. For project-specific loading capabilities, contact MM Systems with technical data related to wheel type, contact area (footprint), distributed load per wheel, and speed of traffic.



Height Chart		
Base Angle	System	
Size	Height (SH)	
4 x 2.50	4.00	102
4 x 2.375	4.0	102



50 MM WAY
PENDERGRASS, GA. 30567
706-824-7500 PHONE

www.mm.systems

For Spec-Data, Install Guides, and other data visit www.mm.systems

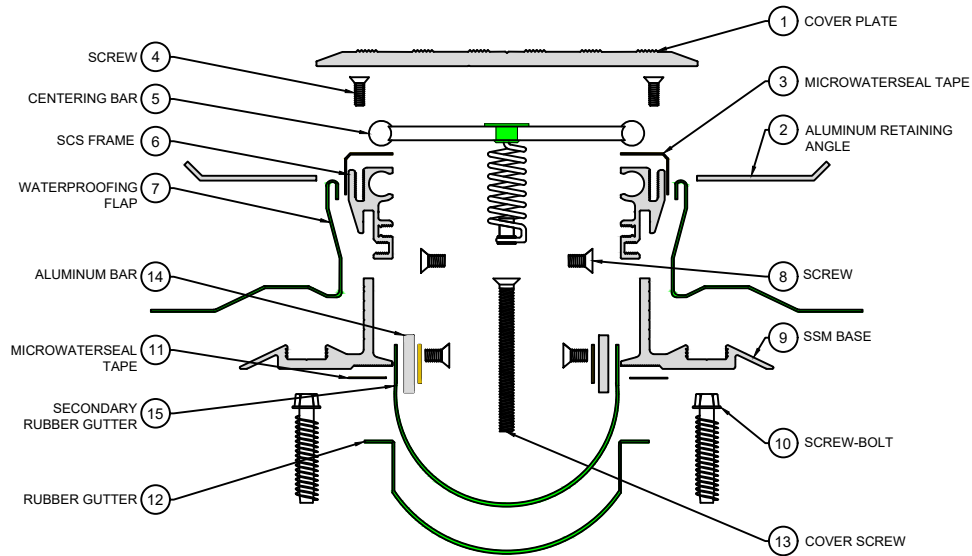
RIGHTS OF DESIGN

All rights of design, detail, engineering and/or invention contained herein are the property of MM Systems and hereby reserved and are not to be reproduced or provided to any other party. MM Systems reserves the right to amend or withdraw any information contained herein without notice and will not be liable for any inaccuracy or ambiguity of said information.

Split Slab Covered Seismic System

SCS Series (200-1200)

Drawn by: LRM	Scale: NTS	Drawing Number:
SHT. 2 OF 3	Issue Date: 02/24/2026	31075-01



EXPLODED VIEW ▲

▼ PART NUMBERS

Locator	Part Component	SCS-200	SCS-400	SCS-600	SCS-800	SCS-1000	SCS-1200
1	Cover Plate	7145-M-10	7146	7147	7148	7149	7150
2	Aluminum Retaining Angle	WPEA-AM-10-0112-0-0-24	WPEA-AM-10-0212-0-0-24	WPEA-AM-10-0300-0-0-24	WPEA-AM-10-0312-0-0-24	WPEA-AM-10-0400-0-0-24	WPEA-AM-10-0408-00-24
3	Microwaterseal Tape	Microwaterseal30X2	Microwaterseal30X2	Microwaterseal30X2	Microwaterseal30X2	Microwaterseal30X2	Microwaterseal30X2
4	Screw	9382	9382	9382	9382	9382	9382
5	Centering Bar	ASSY-SCD-1000-v2	ASSY-SCD-1000-v2	ASSY-SCD-1400-v2	ASSY-SCD-1700-v2	ASSY-SCD-1700-v2	ASSY-SCD-2000-S001-v2
6	SSM Frame	7431#0208	7431#0208	7431#0206	7431#0206	7431#0206	7431#0206
7	Waterproofing Flap	9118-12	9118-12	9118-12	9118-12	9118-12	9118-12
8	Screw	9348	9348	9348	9348	9348	9348
9	SCS Base	7431 #0212	7431 #0212	7431 #0212	7431 #0212	7431 #0212	7431 #0212
10	Screw-Bolt	7420	7420	7420	7420	7420	7420
11	Microwaterseal Tape	Microwaterseal60X1	Microwaterseal60X1	Microwaterseal60X1	Microwaterseal60X1	Microwaterseal60X1	Microwaterseal60X1
12	Rubber Gutter	9109-12	9109-14	9109-18	9109-24	9109-26	9109-26
13	Cover Screw	8325	8325	8325	8325	8325	8325
14	Aluminum Bar	8004-M-12	8004-M-12	8004-M-12	8004-M-12	8004-M-12	8004-M-12
15	Secondary Rubber Gutter	9109-12	9109-12	9109-12	9109-14	9109-24	9109-26



50 MM WAY
PENDERGRASS, GA. 30567
706-824-7500 PHONE

www.mm.systems

For Spec-Data, Install Guides, and other data visit www.mm.systems

RIGHTS OF DESIGN

All rights of design, detail, engineering and/or invention contained herein are the property of MM Systems and hereby reserved and are not to be reproduced or provided to any other party. MM Systems reserves the right to amend or withdraw any information contained herein without notice and will not be liable for any inaccuracy or ambiguity of said information.

Split Slab Covered Seismic System
SCS Series (200-1200)

Drawn by: LRM	Scale: NTS	Drawing Number: 31075-01
SHT. 3 OF 3	Issue Date: 02/24/2026	