

SCP-C Series Expansion Joint

Sizes 200 through 800
(Slab-to-Wall)



50 MM WAY
PENDERGRASS, GA. 30567
706-824-7500 PHONE

www.mm.systems

For Spec-Data, Install Guides, and other data visit www.mm.systems

RIGHTS OF DESIGN

All rights of design, detail, engineering and/or invention contained herein are the property of MM Systems and hereby reserved and are not to be reproduced or provided to any other party. MM Systems reserves the right to amend or withdraw any information contained herein without notice and will not be liable for any inaccuracy or ambiguity of said information.

Stainless Steel Cover Plate Expansion Joint

SCP-C Series (200-800)

Drawn by: LRM	Scale: NTS	Drawing Number:
SHT. 1 OF 3	Issue Date: 01/16/2025	31125-02

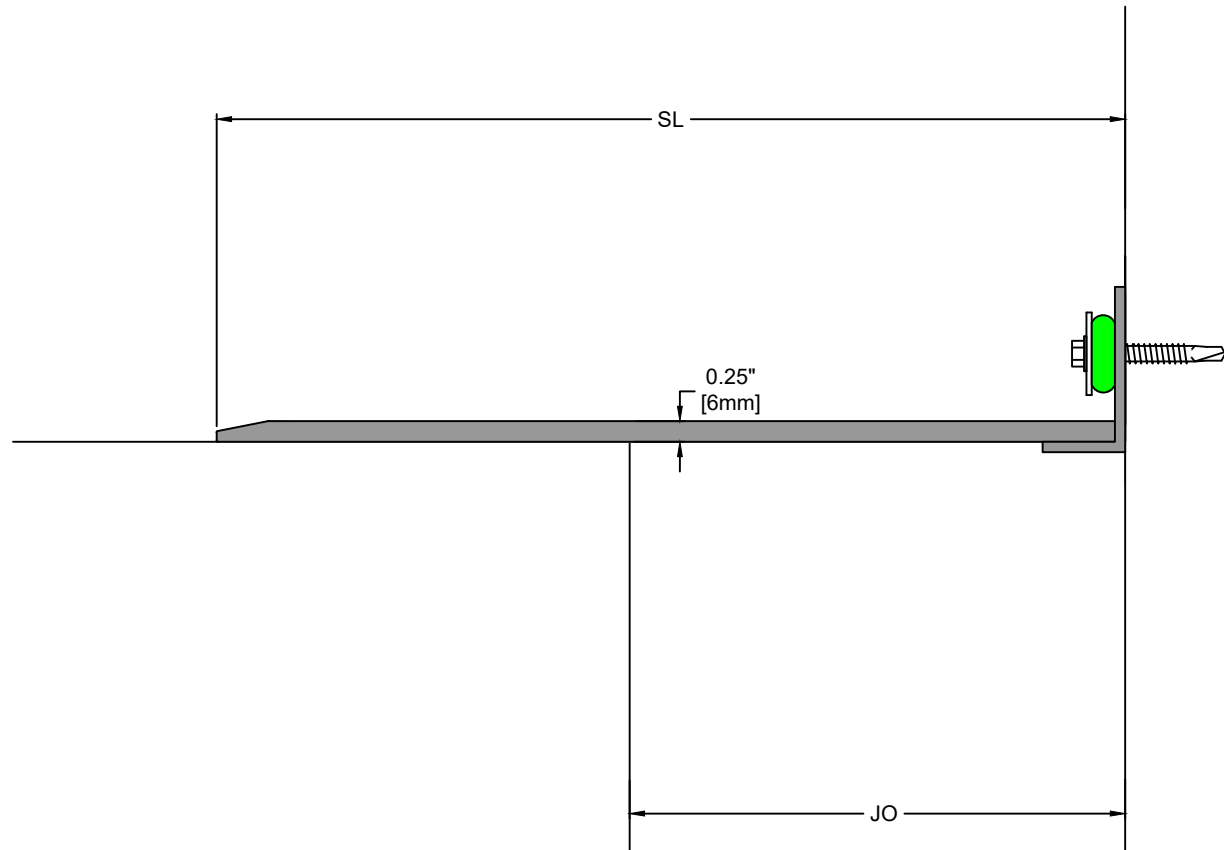
SCP-C SERIES EXPANSION JOINT MOVEMENT CHART / 50% MOVEMENT

Model Number	Joint Opening (JO ^N)		Sight Line (SL ^N)		Thermal Movement (JO ^T)				Seismic Movement (JO ^S)				Total (JO ^A)	
	Nominal		Nominal		Minimum		Maximum		Minimum		Maximum		Movement	
SCP-C-200	2.00	102	5.00	127	1.50	38	2.50	64	1.00	25	3.00	76	2.00	51
SCP-C-400	4.00	203	8.00	203	3.50	89	4.50	114	2.00	51	6.00	152	4.00	102
SCP-C-600	6.00	254	11.00	279	5.50	140	6.50	165	3.00	76	9.00	229	6.00	152
SCP-C-800	8.00	305	14.00	356	7.50	191	8.50	216	4.00	102	12.00	305	8.00	203

Dimension shown in **inches** (bold) and millimeters. Refer to the SCP-C AutoCAD file for individual system drawings.

LOAD TABLE

	Safe Walking Surface
	Hand Truck
	Shopping Cart
	Utility Cart
	Carpet Cleaner



Note: The SCP-C loading capabilities shown above are based upon average vehicular and equipment weights, wheel types and sizes. For project-specific loading capabilities, contact MM Systems with technical data related to wheel type, contact area (footprint), distributed load per wheel, and speed of traffic.



50 MM WAY
PENDERGRASS, GA. 30567
706-824-7500 PHONE

www.mm.systems

For Spec-Data, Install Guides, and other data visit www.mm.systems

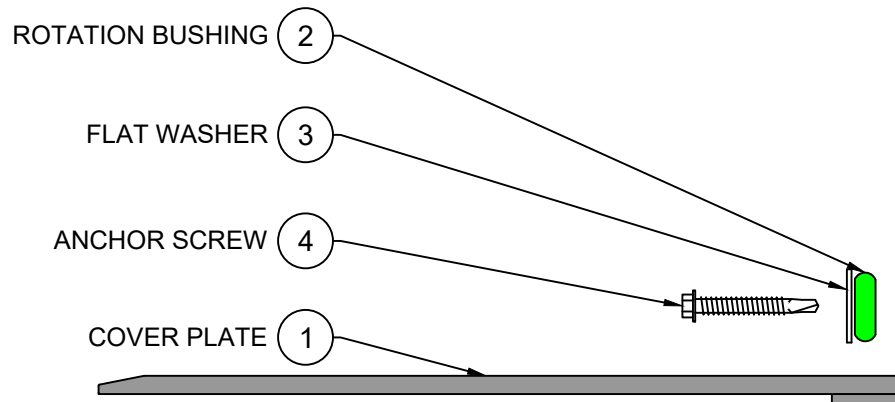
RIGHTS OF DESIGN

All rights of design, detail, engineering and/or invention contained herein are the property of MM Systems and hereby reserved and are not to be reproduced or provided to any other party. MM Systems reserves the right to amend or withdraw any information contained herein without notice and will not be liable for any inaccuracy or ambiguity of said information.

Stainless Steel Cover Plate Expansion Joint

SCP-C Series (200-800)

Drawn by: LRM	Scale: NTS	Drawing Number:
SHT. 2 OF 3	Issue Date: 01/16/2025	31125-02



EXPLODED VIEW ▲

PART NUMBERS ▼

Locator	Part Component	SCP-C-200	SCP-C-400	SCP-C-600	SCP-C-800
1	Cover Plate	ASSY-SCPC-0404-20-18	ASSY-SCPC-0704-20-18	ASSY-SCPC-1004-20-18	ASSY-SCPC-1304-20-18
2	Rotation Bushing	9455	9455	9455	9455
3	Flat Washer	8312-1/4	8312-1/4	8312-1/4	8312-1/4
4	Anchor Screw	9402	9402	9402	9402



50 MM WAY
PENDERGRASS, GA. 30567
706-824-7500 PHONE

www.mm.systems

For Spec-Data, Install Guides, and other data visit www.mm.systems

RIGHTS OF DESIGN

All rights of design, detail, engineering and/or invention contained herein are the property of MM Systems and hereby reserved and are not to be reproduced or provided to any other party. MM Systems reserves the right to amend or withdraw any information contained herein without notice and will not be liable for any inaccuracy or ambiguity of said information.

Stainless Steel Cover Plate Expansion Joint

SCP Series (200-800)

Drawn by:

LRM

Scale:

NTS

Drawing Number:

SHT. 3 OF 3

Issue Date:
01/16/2025

31125-02