

PDS-C Series Expansion Joint
Sizes 200 through 2400
(Slab-to-Wall)



50 MM WAY
 PENDERGRASS, GA. 30567
 706-824-7500 PHONE

www.mm.systems

For Spec-Data, Install Guides, and other data visit www.mm.systems

RIGHTS OF DESIGN

All rights of design, detail, engineering and/or invention contained herein are the property of MM Systems and hereby reserved and are not to be reproduced or provided to any other party. MM Systems reserves the right to amend or withdraw any information contained herein without notice and will not be liable for any inaccuracy or ambiguity of said information.

Pan Design Seismic System Expansion Joint
PDS-C Series (Sizes 200-2400)






Drawn by: LRM	Scale: NTS	Drawing Number: 10100-01A
SHT. 1 OF 3	Issue Date: 03/04/2025	

PDS-C SERIES EXPANSION JOINT MOVEMENT CHART

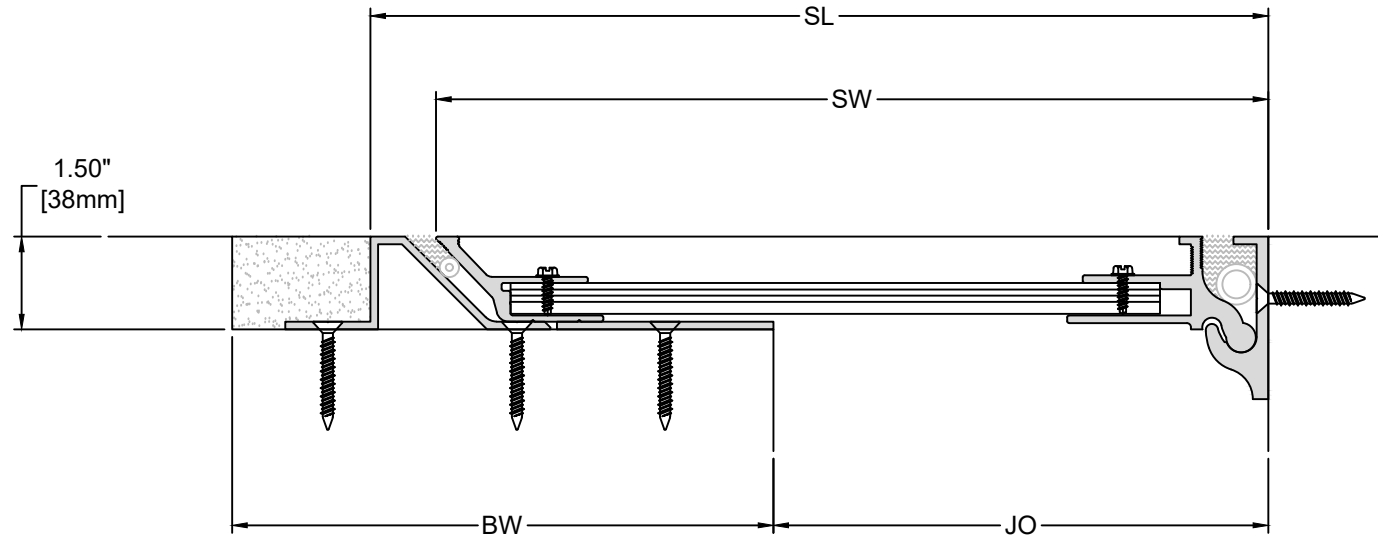
Model Number	Joint Opening (JO ^N)		Sight Line (SL ^N)		Thermal Movement (JO ^T)				Seismic Movement (JO ^S)				Total (JO ^A)		Slide Plate Width (SW)		Blockout Width (BW)	
	Nominal		Nominal		Minimum	Maximum	Minimum	Maximum	Minimum	Maximum	Minimum	Maximum	Movement				Nominal	
PDS-C-200	2.00	51	6.95	177	1.50	38	2.50	64	1.00	25	3.00	76	2.00	51	5.89	150	7.00	178
PDS-C-300	3.00	76	7.52	191	2.25	57	3.75	95	2.50	64	4.50	114	3.00	76	6.45	164	6.875	175
PDS-C-400	4.00	102	8.52	216	3.25	83	4.75	121	2.00	51	8.00	203	4.00	102	7.45	189	6.875	175
PDS-C-500	5.00	127	10.02	255	4.25	108	5.75	254	2.50	64	10.00	254	5.00	127	8.95	227	7.375	187
PDS-C-600	6.00	152	11.52	292	5.25	133	7.75	197	3.00	76	12.00	305	6.00	152	10.45	265	7.875	200
PDS-C-700	7.00	178	13.02	331	6.25	159	7.75	197	3.50	89	14.00	356	7.00	178	11.95	304	8.25	210
PDS-C-800	8.00	203	14.52	369	7.25	184	8.75	222	4.00	102	16.00	406	8.00	203	13.45	342	8.75	222
PDS-C-900	9.00	229	16.01	407	8.25	210	9.75	248	4.50	114	18.00	457	9.00	229	14.95	380	9.00	229
PDS-C-1000	10.00	254	17.51	445	9.25	235	10.75	273	5.00	127	20.00	508	10.00	254	16.45	418	9.75	235
PDS-C-1100	11.00	279	19.01	483	10.25	260	11.75	299	5.50	140	22.00	559	11.00	279	17.95	418	10.25	260
PDS-C-1200	12.00	305	20.52	521	11.25	286	12.75	324	6.00	152	24.00	610	12.00	305	19.45	456	10.75	273
PDS-C-1300	13.00	330	22.02	559	12.25	311	13.75	349	6.50	165	26.00	660	13.00	330	20.95	532	11.25	286
PDS-C-1400	14.00	356	23.52	597	13.25	337	14.75	362	7.00	178	28.00	711	14.00	356	22.45	570	11.75	299
PDS-C-1500	15.00	381	25.02	636	14.25	375	15.75	400	7.50	183	30.00	762	15.00	381	23.95	608	12.25	311
PDS-C-1600	16.00	406	26.52	674	15.25	387	16.75	426	8.00	203	32.00	813	16.00	406	25.45	646	12.75	324
PDS-C-1700	17.00	432	28.02	712	16.25	413	17.75	451	8.50	216	34.00	864	17.00	432	26.45	672	13.25	337
PDS-C-1800	18.00	457	29.52	750	17.25	438	18.75	476	9.00	228	36.00	914	18.00	457	28.45	723	13.75	349
PDS-C-1900	19.00	483	31.02	788	18.25	464	19.75	502	9.50	241	28.00	965	19.00	483	29.95	61	14.25	362
PDS-C-2000	20.00	508	32.52	826	19.25	489	20.75	527	10.00	254	40.00	1016	20.00	508	31.45	799	14.75	375
PDS-C-2100	21.00	533	34.02	864	20.25	514	21.75	553	10.50	267	42.00	1067	21.00	533	32.96	837	15.25	387
PDS-C-2200	22.00	559	35.52	902	21.25	540	22.75	578	11.00	279	44.00	1118	22.00	559	34.45	875	15.75	400
PDS-C-2300	23.00	584	37.02	940	22.25	565	23.75	603	11.50	292	46.00	1168	23.00	584	35.95	913	16.25	413
PDS-C-2400	24.00	610	38.02	966	23.25	591	24.75	629	12.00	305	48.00	1219	24.00	610	36.95	939	16.25	413

Dimension shown in **inches** (bold) and millimeters. Refer to the PDS-C AutoCAD file for individual system drawings.

LOAD TABLE

	Safe Walking Surface
	Passenger Cart
	Carpet Cleaner
	ADA Compliant
	Floor Scrubber

Note: The PDS-C loading capabilities shown above are based upon average equipment weights, wheel types and sizes. For project-specific loading capabilities, contact MM Systems with technical data related to wheel type, contact area (footprint), distributed load per wheel, and speed of traffic.



50 MM WAY
PENDERGRASS, GA. 30567
706-824-7500 PHONE

www.mm.systems

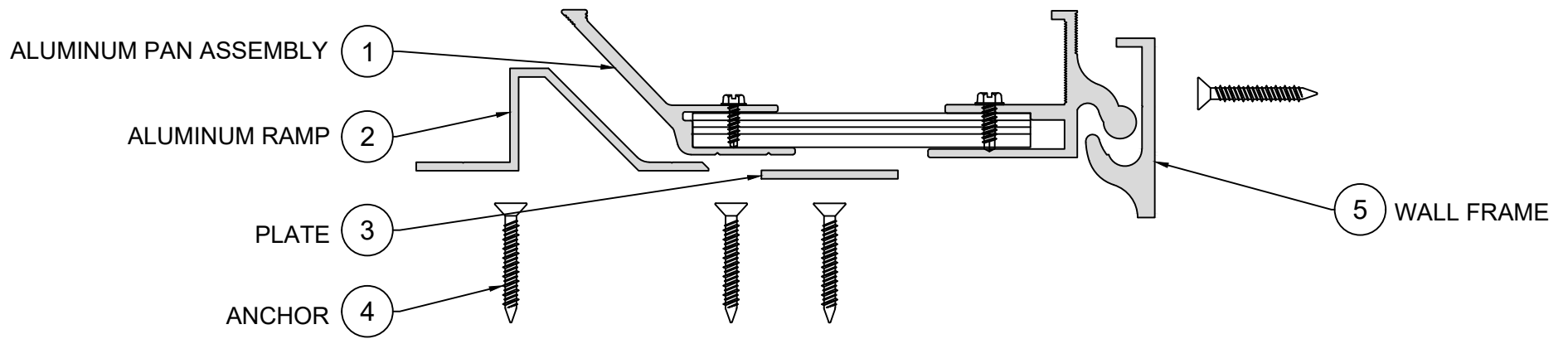
For Spec-Data, Install Guides, and other data visit www.mm.systems

RIGHTS OF DESIGN

All rights of design, detail, engineering and/or invention contained herein are the property of MM Systems and hereby reserved and are not to be reproduced or provided to any other party. MM Systems reserves the right to amend or withdraw any information contained herein without notice and will not be liable for any inaccuracy or ambiguity of said information.

Pan Design Seismic System Expansion Joint PDS-C Series (Sizes 200-2400)

Drawn by: LRM	Scale: NTS	Drawing Number:
SHT. 2 OF 3	Issue Date: 03/04/2025	10100-01A



EXPLODED VIEW ▲
PART NUMBERS ▼

Locator	Part Component	PDS-C-200	PDS-C-300	PDS-C-400	PDS-C-500	PDS-C-600	PDS-C-700	PDS-C-800	PDS-C-900	PDS-C-1000	PDS-C-1100	PDS-C-1200
1	Aluminum Ramp	ASSY-PAN04 14-150H-I	ASSY-PAN05 06-150H-I	ASSY-PAN06 06-150H-I	ASSY-PAN07 14-150H-I	ASSY-PAN09 06-150H-I	ASSY-PAN10 14-150H-I	ASSY-PAN12 06-150H-I	ASSY-PAN13 14-150H-I	ASSY-PAN15 06-150H-I	ASSY-PAN16 14-150H-I	ASSY-PAN18 06-150H-I
2	Aluminum Pan	8489-M-10	8489-M-10	8489-M-10	8489-M-10	8489-M-10	8489-M-10	8489-M-10	8489-M-10	8489-M-10	8489-M-10	8489-M-10
3	Plate	CPZA-AM-10- 0104-00-18	CPZA-AM-10- 0108-00-18	CPZA-AM-10- 0108-00-18	CPZA-AM-10- 0200-00-18	CPZA-AM-10- 0208-00-18	CPZA-AM-10- 0300-00-18	CPZA-AM-10- 0308-00-18	CPZA-AM-10- 0400-00-18	CPZA-AM-10- 0408-00-18	CPZA-AM-10- 0500-00-18	CPZA-AM-10- 0508-00-18
4	Anchor	9406	9406	9406	9406	9406	9406	9406	9406	9406	9406	9406
5	Wall Frame	8162-M-10	8162-M-10	8162-M-10	8162-M-10	8162-M-10	8162-M-10	8162-M-10	8162-M-10	8162-M-10	8162-M-10	8162-M-10

Locator	Part Component	PDS-C-1300	PDS-C-1400	PDS-C-1500	PDS-C-1600	PDS-C-1700	PDS-C-1800	PDS-C-1900	PDS-C-2000	PDS-C-2100	PDS-C-2200	PDS-C-2300	PDS-C-2400
1	Aluminum Ramp	ASSY-PAN18 06-150H-I	ASSY-PAN21 06-150H-I	ASSY-PAN22 14-150H-I	ASSY-PAN24 06-150H-I	ASSY-PAN25 14-150H-I	ASSY-PAN27 06-150H-I	ASSY-PAN28 14-150H-I	ASSY-PAN30 06-150H-I	ASSY-PAN31 14-150H-I	ASSY-PAN33 06-150H-I	ASSY-PAN34 14-150H-I	ASSY-PAN35 14-150H-I
2	Aluminum Pan	8489-M-10	8489-M-10	8489-M-10	8489-M-10	8489-M-10	8489-M-10	8489-M-10	8489-M-10	8489-M-10	8489-M-10	8489-M-10	8489-M-10
3	Plate	CPZA-AM-10- 0600-00-18	CPZA-AM-10- 0608-00-18	CPZA-AM-10- 0700-00-18	CPZA-AM-10- 0708-00-18	CPZA-AM-10- 0800-00-18	CPZA-AM-10- 0808-00-18	CPZA-AM-10- 0900-00-18	CPZA-AM-10- 0908-00-18	CPZA-AM-10- 1000-00-18	CPZA-AM-10- 1008-00-18	CPZA-AM-10- 1100-00-18	CPZA-AM-10- 1100-00-18
4	Anchor	9406	9406	9406	9406	9406	9406	9406	9406	9406	9406	9406	9406
5	Wall Frame	8162-M-10	8162-M-10	8162-M-10	8162-M-10	8162-M-10	8162-M-10	8162-M-10	8162-M-10	8162-M-10	8162-M-10	8162-M-10	8162-M-10



50 MM WAY
PENDERGRASS, GA. 30567
706-824-7500 PHONE

www.mm.systems

For Spec-Data, Install Guides, and other data visit www.mm.systems

RIGHTS OF DESIGN

All rights of design, detail, engineering and/or invention contained herein are the property of MM Systems and hereby reserved and are not to be reproduced or provided to any other party. MM Systems reserves the right to amend or withdraw any information contained herein without notice and will not be liable for any inaccuracy or ambiguity of said information.

Pan Design Seismic System Expansion Joint
PDS-C Series (Sizes 200-2400)

Drawn by: LRM	Scale: NTS	Drawing Number: 10100-01A
SHT. 3 OF 3	Issue Date: 03/04/2025	