

PDS-C Series Expansion Joint
Sizes 200 through 2400
(Slab-to-Wall)



50 MM WAY
 PENDERGRASS, GA. 30567
 706-824-7500 PHONE

www.mm.systems

For Spec-Data, Install Guides, and other data visit www.mm.systems

RIGHTS OF DESIGN

All rights of design, detail, engineering and/or invention contained herein are the property of MM Systems and hereby reserved and are not to be reproduced or provided to any other party. MM Systems reserves the right to amend or withdraw any information contained herein without notice and will not be liable for any inaccuracy or ambiguity of said information.






Pan Design Seismic System Expansion Joint
PDS-C Series (Sizes 200-2400)

Drawn by: LRM	Scale: NTS	Drawing Number: 10100-01D
SHT. 1 OF 3	Issue Date: 03/04/2025	

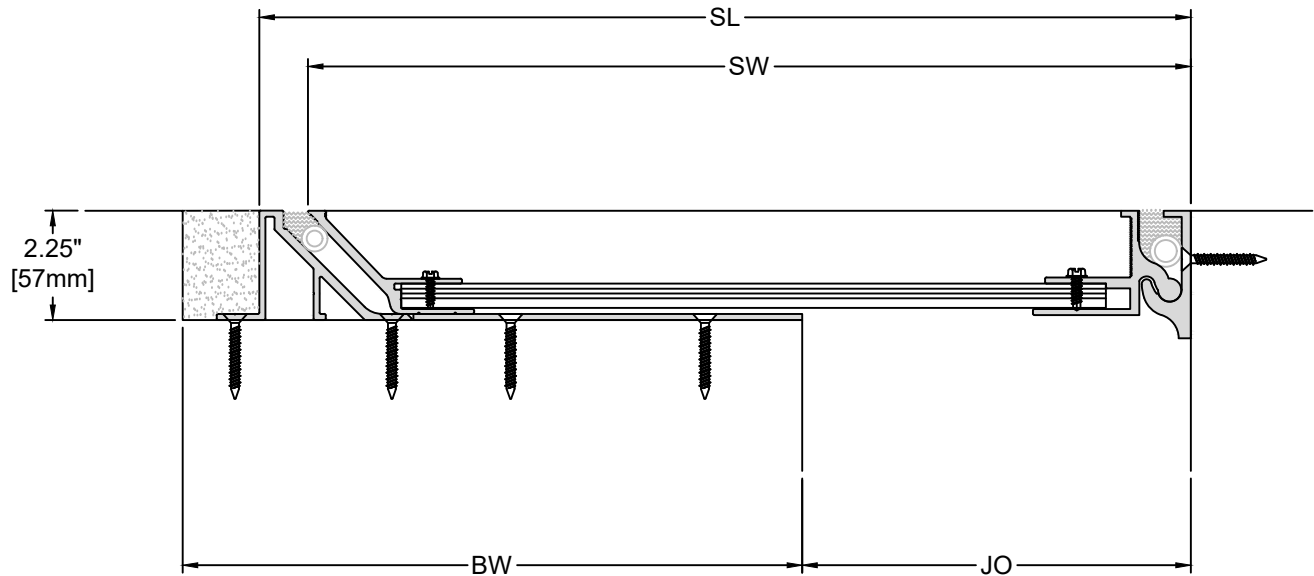
PDS-C SERIES EXPANSION JOINT MOVEMENT CHART

Model Number	Joint Opening (JO ^N)		Sight Line (SL ^N)		Thermal Movement (JO ^T)				Seismic Movement (JO ^S)				Total (JO ^T)		Slide Plate Width (SW)		Blockout Width (BW)	
	Nominal		Nominal		Minimum		Maximum		Minimum		Maximum		Movement		SW		Nominal	
PDS-C-200	2.00	51	8.17	208	1.00	25	2.75	70	2.00	51	3.00	76	2.00	51	7.17	182	7.875	200
PDS-C-300	3.00	76	9.17	233	1.50	38	4.75	121	2.00	51	6.00	152	4.50	114	8.17	206	7.875	200
PDS-C-400	4.00	102	10.58	269	2.00	51	4.75	121	2.00	51	8.00	203	6.00	152	9.58	243	8.25	210
PDS-C-500	5.00	127	11.58	294	2.50	64	5.75	146	2.00	51	10.00	254	8.00	203	10.58	269	8.25	210
PDS-C-600	6.00	152	15.17	385	5.25	133	6.75	171	2.00	51	12.00	305	10.00	254	14.17	360	10.875	276
PDS-C-700	7.00	178	16.17	411	6.25	159	7.75	197	2.00	51	14.00	336	12.00	305	15.17	385	10.875	276
PDS-C-800	8.00	203	19.17	487	7.25	184	8.75	222	2.00	51	16.00	406	14.00	356	18.17	462	12.75	324
PDS-C-900	9.00	229	20.17	512	8.25	210	9.75	248	2.00	51	18.00	457	16.00	406	19.17	487	12.75	324
PDS-C-1000	10.00	254	23.17	589	9.25	235	10.75	273	2.00	51	20.00	508	18.00	457	22.17	563	14.75	375
PDS-C-1100	11.00	279	24.17	614	10.25	260	11.75	298	2.00	51	22.00	559	20.00	508	23.17	589	14.75	375
PDS-C-1200	12.00	305	27.17	690	11.25	286	12.75	324	2.00	51	24.00	610	22.00	559	26.17	665	16.75	425
PDS-C-1300	13.00	330	28.17	716	12.25	311	13.75	349	2.00	51	26.00	660	24.00	610	27.17	690	16.75	425
PDS-C-1400	14.00	356	31.17	792	13.25	337	14.75	375	2.00	51	28.00	711	26.00	660	30.17	766	18.75	476
PDS-C-1500	15.00	381	32.17	817	14.25	362	15.75	400	2.00	51	30.00	762	28.00	711	31.17	792	18.75	476
PDS-C-1600	16.00	406	35.17	893	15.25	387	16.75	425	2.00	51	32.00	813	30.00	762	34.17	868	20.75	527
PDS-C-1700	17.00	432	36.17	919	16.25	413	17.75	451	2.00	51	34.00	864	32.00	813	35.17	893	20.75	527
PDS-C-1800	18.00	457	39.17	995	17.25	438	18.75	476	2.00	51	36.00	914	34.00	864	38.17	970	22.75	578
PDS-C-1900	19.00	483	40.17	1020	18.25	464	19.75	502	2.00	51	38.00	965	36.00	914	39.17	995	22.75	578
PDS-C-2000	20.00	508	41.17	1046	19.25	489	20.75	527	2.00	51	40.00	1016	38.00	965	40.17	1020	22.75	578
PDS-C-2100	21.00	533	42.17	1071	20.25	514	21.75	552	2.00	51	42.00	1067	40.00	1016	41.17	1046	22.75	578
PDS-C-2200	22.00	559	43.17	1097	21.25	540	22.75	578	2.00	51	44.00	1118	42.00	1067	42.17	1071	22.75	578
PDS-C-2300	23.00	584	44.17	1122	22.25	565	23.75	603	2.00	51	46.00	1168	44.00	1118	43.17	1097	22.75	578
PDS-C-2400	24.00	610	51.42	1306	23.25	591	24.75	629	2.00	51	48.00	1219	46.00	1168	50.42	1281	29.00	737

Dimension shown in **inches** (bold) and millimeters. Refer to the PDS-C AutoCAD file for individual system drawings.

LOAD TABLE	
	Safe Walking Surface
	Passenger Cart
	Carpet Cleaner
	ADA Compliant
	Floor Scrubber

Note: The PDS-C loading capabilities shown above are based upon average equipment weights, wheel types and sizes. For project-specific loading capabilities, contact MM Systems with technical data related to wheel type, contact area (footprint), distributed load per wheel, and speed of traffic.



50 MM WAY
PENDERGRASS, GA. 30567
706-824-7500 PHONE

www.mm.systems

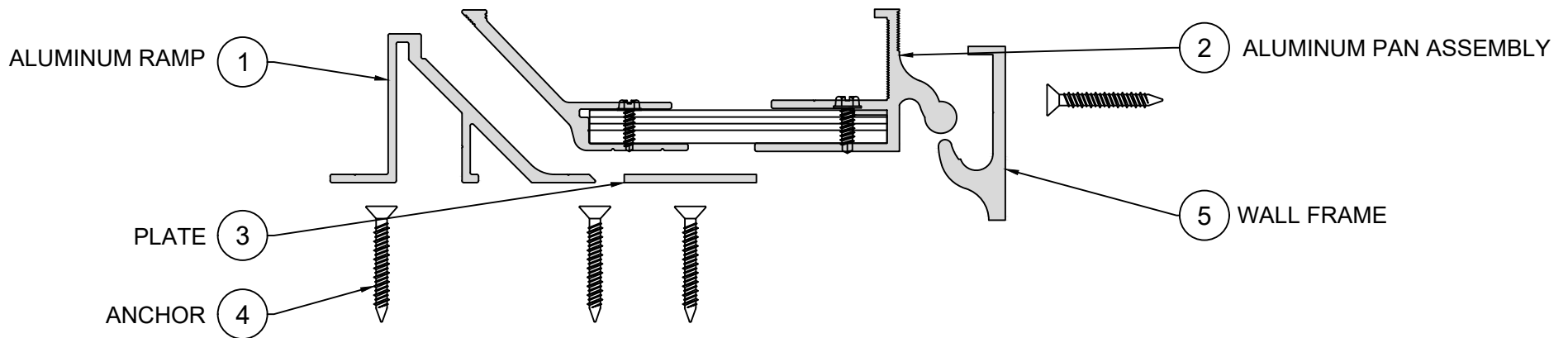
For Spec-Data, Install Guides, and other data visit www.mm.systems

RIGHTS OF DESIGN

All rights of design, detail, engineering and/or invention contained herein are the property of MM Systems and hereby reserved and are not to be reproduced or provided to any other party. MM Systems reserves the right to amend or withdraw any information contained herein without notice and will not be liable for any inaccuracy or ambiguity of said information.

Pan Design Seismic System Expansion Joint PDS-C Series (Sizes 200-2400)

Drawn by: LRM	Scale: NTS	Drawing Number:
SHT. 2 OF 3	Issue Date: 03/04/2025	10100-01D



EXPLODED VIEW ▲

PART NUMBERS ▼

Locator	Part Component	PDS-200	PDS-300	PDS-400	PDS-500	PDS-600	PDS-700	PDS-800	PDS-900	PDS-1000	PDS-1100	PDS-1200
1	Aluminum Ramp	7018-M-10	7018-M-10	7018-M-10	7018-M-10	7018-M-10	7018-M-10	7018-M-10	7018-M-10	7018-M-10	7018-M-10	7018-M-10
2	Aluminum Pan Assembly	ASSY-PAN060 2-225H-I	ASSY-PAN070 2-225H-I	ASSY-PAN080 8-225H-I	ASSY-PAN090 8-225H-I	ASSY-PAN130 2-225H-I	ASSY-PAN140 2-225H-I	ASSY-PAN170 2-225H-I	ASSY-PAN180 2-225H-I	ASSY-PAN210 2-225H-I	ASSY-PAN220 2-225H-I	ASSY-PAN250 2-225H-I
3	Plate	CPZA-AM-10-0 300-00-18	CPZA-AM-10-0 300-00-18	CPZA-AM-10-0 306-00-18	CPZA-AM-10-0 306-00-18	CPZA-AM-10-0 600-00-18	CPZA-AM-10-0 600-00-18	CPZA-AM-10-0 800-00-18	CPZA-AM-10-0 800-00-18	CPZA-AM-10-1 000-00-18	CPZA-AM-10-1 000-00-18	CPZA-AM-10-1 200-00-18
4	Anchor	9406	9406	9406	9406	9406	9406	9406	9406	9406	9406	9406
5	Wall Frame	8162-M-10	8162-M-10	8162-M-10	8162-M-10	8162-M-10	8162-M-10	8162-M-10	8162-M-10	8162-M-10	8162-M-10	8162-M-10

Locator	Part Component	PDS-1300	PDS-1400	PDS-1500	PDS-1600	PDS-1700	PDS-1800	PDS-1900	PDS-2000	PDS-2100	PDS-2200	PDS-2300	PDS-2400
1	Aluminum Ramp	7018-M-10	7018-M-10	7018-M-10	7018-M-10	7018-M-10	7018-M-10	7018-M-10	7018-M-10	7018-M-10	7018-M-10	7018-M-10	7018-M-10
2	Aluminum Pan Assembly	ASSY-PAN260 2-225H-I	ASSY-PAN290 2-225H-I	ASSY-PAN300 2-225H-I	ASSY-PAN330 2-225H-I	ASSY-PAN340 2-225H-I	ASSY-PAN370 2-225H-I	ASSY-PAN380 2-225H-I	ASSY-PAN390 2-225H-I	ASSY-PAN400 2-225H-I	ASSY-PAN410 2-225H-I	ASSY-PAN420 2-225H-I	ASSY-PAN490 6-225H-I
3	Plate	CPZA-AM-10-1 200-00-18	CPZA-AM-10-1 400-00-18	CPZA-AM-10-1 400-00-18	CPZA-AM-10-1 600-00-18	CPZA-AM-10-1 600-00-18	CPZA-AM-10-1 800-00-18	CPZA-AM-10-1 800-00-18	CPZA-AM-10-1 800-00-18	CPZA-AM-10-1 800-00-18	CPZA-AM-10-1 800-00-18	CPZA-AM-10-1 800-00-18	CPZA-AM-10-2 404-00-18
4	Anchor	9406	9406	9406	9406	9406	9406	9406	9406	9406	9406	9406	9406
5	Wall Frame	8162-M-10	8162-M-10	8162-M-10	8162-M-10	8162-M-10	8162-M-10	8162-M-10	8162-M-10	8162-M-10	8162-M-10	8162-M-10	8162-M-10



50 MM WAY
PENDERGRASS, GA. 30567
706-824-7500 PHONE

www.mm.systems

For Spec-Data, Install Guides, and other data visit www.mm.systems

RIGHTS OF DESIGN

All rights of design, detail, engineering and/or invention contained herein are the property of MM Systems and hereby reserved and are not to be reproduced or provided to any other party. MM Systems reserves the right to amend or withdraw any information contained herein without notice and will not be liable for any inaccuracy or ambiguity of said information.

Pan Design Seismic System Expansion Joint PDS-C Series (Sizes 200-2400)

Drawn by: LRM	Scale: NTS	Drawing Number: 10100-01D
SHT. 3 OF 3	Issue Date: 03/04/2025	