

**PDS Series Expansion Joint**  
**Sizes 200 through 2400**  
**(Slab-to-Slab)**



50 MM WAY  
 PENDERGRASS, GA. 30567  
 706-824-7500 PHONE

[www.mm.systems](http://www.mm.systems)

For Spec-Data, Install Guides, and other data visit [www.mm.systems](http://www.mm.systems)

**RIGHTS OF DESIGN**

All rights of design, detail, engineering and/or invention contained herein are the property of MM Systems and hereby reserved and are not to be reproduced or provided to any other party. MM Systems reserves the right to amend or withdraw any information contained herein without notice and will not be liable for any inaccuracy or ambiguity of said information.

**Pan Design Seismic System Expansion Joint**

**PDS Series (Sizes 200-2400)**

Drawn by: LRM	Scale: NTS	Drawing Number:  <b>10100-01B</b>
SHT. 1 OF 3	Issue Date: 03/04/2025	

### PDS SERIES EXPANSION JOINT MOVEMENT CHART

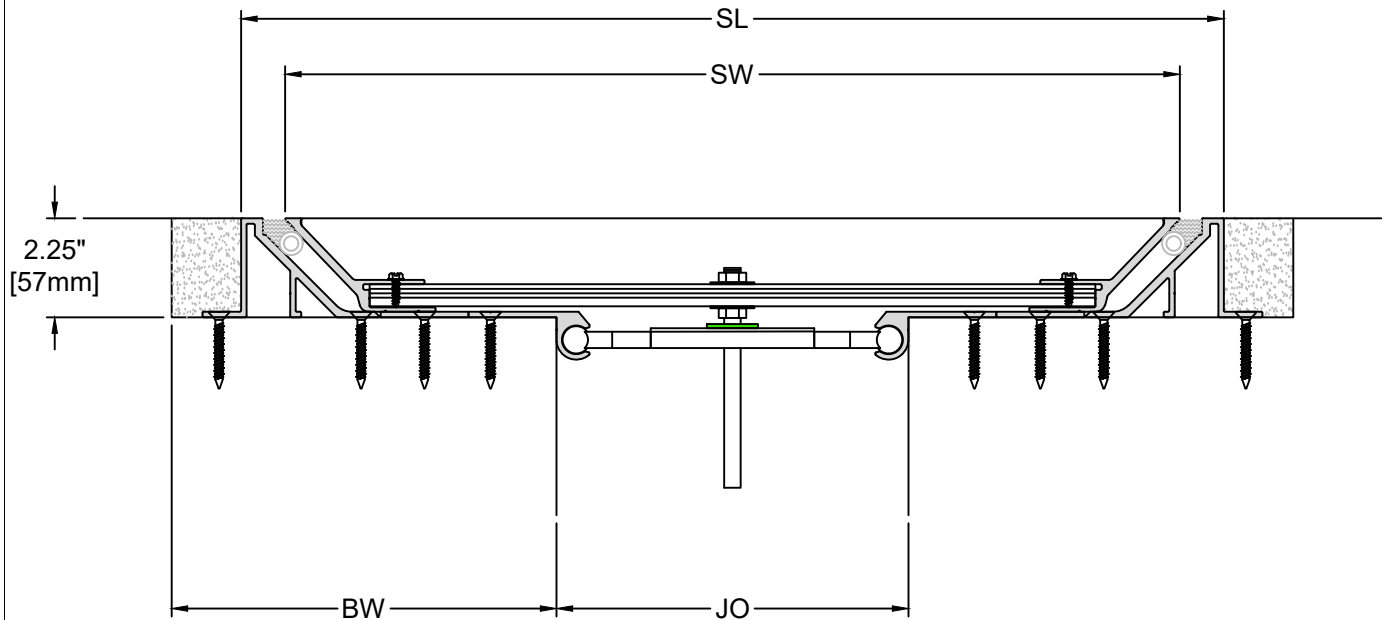
Model Number	Joint Opening (JO <sup>N</sup> )		Sight Line (SL <sup>N</sup> )		Thermal Movement (JO <sup>T</sup> )				Seismic Movement (JO <sup>S</sup> )				Total (JO <sup>A</sup> )		Slide Plate Width (SW)		Blockout Width (BW)	
	Nominal		Nominal		Minimum	Maximum	Minimum	Maximum	Minimum	Maximum	Minimum	Maximum	Movement				Nominal	
PDS-200	<b>2.00</b>	51	<b>13.22</b>	336	<b>1.50</b>	38	<b>2.50</b>	64	<b>1.00</b>	25	<b>3.00</b>	76	<b>2.00</b>	51	11.22	286	7.00	178
PDS-300	<b>3.00</b>	76	<b>14.22</b>	361	<b>2.25</b>	57	<b>3.75</b>	95	<b>1.50</b>	38	<b>4.50</b>	114	<b>3.00</b>	76	12.22	310	7.50	191
PDS-400	<b>4.00</b>	102	<b>13.66</b>	347	<b>3.25</b>	83	<b>4.75</b>	121	<b>2.00</b>	51	<b>6.00</b>	152	<b>4.00</b>	102	11.66	296	6.50	165
PDS-500	<b>5.00</b>	127	<b>14.66</b>	372	<b>4.25</b>	108	<b>5.75</b>	254	<b>2.50</b>	64	<b>7.50</b>	191	<b>5.00</b>	127	12.66	321	6.50	165
PDS-600	<b>6.00</b>	152	<b>15.66</b>	398	<b>5.25</b>	133	<b>7.75</b>	197	<b>3.00</b>	76	<b>9.00</b>	229	<b>6.00</b>	152	13.66	347	6.50	165
PDS-700	<b>7.00</b>	178	<b>16.84</b>	428	<b>6.25</b>	159	<b>7.75</b>	197	<b>3.50</b>	89	<b>10.50</b>	267	<b>7.00</b>	178	14.84	377	6.50	165
PDS-800	<b>8.00</b>	203	<b>18.34</b>	466	<b>7.25</b>	184	<b>8.75</b>	222	<b>4.00</b>	102	<b>12.00</b>	305	<b>8.00</b>	203	16.34	415	6.75	172
PDS-900	<b>9.00</b>	229	<b>19.84</b>	504	<b>8.25</b>	210	<b>9.75</b>	248	<b>4.50</b>	114	<b>13.50</b>	343	<b>9.00</b>	229	17.84	453	6.75	172
PDS-1000	<b>10.00</b>	254	<b>21.34</b>	542	<b>9.25</b>	235	<b>10.75</b>	273	<b>5.00</b>	127	<b>15.00</b>	381	<b>10.00</b>	254	19.34	391	7.25	184
PDS-1100	<b>11.00</b>	279	<b>23.84</b>	606	<b>10.25</b>	260	<b>11.75</b>	299	<b>5.50</b>	140	<b>16.50</b>	419	<b>11.00</b>	279	20.83	589	7.50	191
PDS-1200	<b>12.00</b>	305	<b>24.34</b>	618	<b>11.25</b>	286	<b>12.75</b>	324	<b>6.00</b>	152	<b>18.00</b>	457	<b>12.00</b>	305	22.34	568	7.75	197
PDS-1300	<b>13.00</b>	330	<b>25.84</b>	656	<b>12.25</b>	311	<b>13.75</b>	349	<b>6.50</b>	165	<b>19.50</b>	495	<b>13.00</b>	330	23.84	606	8.00	203
PDS-1400	<b>14.00</b>	356	<b>27.34</b>	694	<b>13.25</b>	337	<b>14.75</b>	362	<b>7.00</b>	178	<b>21.00</b>	533	<b>14.00</b>	356	25.34	644	8.25	210
PDS-1500	<b>15.00</b>	381	<b>28.84</b>	733	<b>14.25</b>	375	<b>15.75</b>	400	<b>7.50</b>	191	<b>22.50</b>	572	<b>15.00</b>	381	26.84	682	8.50	216
PDS-1600	<b>16.00</b>	406	<b>30.34</b>	771	<b>15.25</b>	387	<b>16.75</b>	426	<b>8.00</b>	203	<b>24.00</b>	610	<b>16.00</b>	406	28.34	720	8.75	222
PDS-1700	<b>17.00</b>	432	<b>31.84</b>	809	<b>16.25</b>	413	<b>17.75</b>	451	<b>8.50</b>	216	<b>25.50</b>	648	<b>17.00</b>	432	29.84	758	9.00	229
PDS-1800	<b>18.00</b>	457	<b>33.34</b>	847	<b>17.25</b>	438	<b>18.75</b>	476	<b>9.00</b>	229	<b>27.00</b>	686	<b>18.00</b>	457	31.34	796	9.25	235
PDS-1900	<b>19.00</b>	483	<b>34.84</b>	885	<b>18.25</b>	464	<b>19.75</b>	502	<b>9.50</b>	241	<b>28.50</b>	724	<b>19.00</b>	483	32.84	796	9.50	241
PDS-2000	<b>20.00</b>	508	<b>36.34</b>	923	<b>19.25</b>	489	<b>20.75</b>	527	<b>10.00</b>	254	<b>30.00</b>	762	<b>20.00</b>	508	34.34	872	9.75	248
PDS-2100	<b>21.00</b>	533	<b>37.84</b>	961	<b>20.25</b>	514	<b>21.75</b>	553	<b>10.50</b>	267	<b>31.50</b>	800	<b>21.00</b>	533	35.84	910	10.00	254
PDS-2200	<b>22.00</b>	559	<b>39.34</b>	999	<b>21.25</b>	540	<b>22.75</b>	578	<b>11.00</b>	279	<b>33.00</b>	838	<b>22.00</b>	559	37.84	949	10.25	260
PDS-2300	<b>23.00</b>	584	<b>40.84</b>	1037	<b>22.25</b>	565	<b>23.75</b>	603	<b>11.50</b>	292	<b>34.50</b>	876	<b>23.00</b>	584	38.34	987	10.50	267
PDS-2400	<b>24.00</b>	610	<b>42.34</b>	1075	<b>23.25</b>	591	<b>24.75</b>	629	<b>12.00</b>	305	<b>36.00</b>	914	<b>24.00</b>	610	40.34	1025	10.75	273

Dimension shown in **inches** (bold) and millimeters. Refer to the PDS AutoCAD file for individual system drawings.

#### LOAD TABLE

	Safe Walking Surface
	Passenger Cart
	Carpet Cleaner
	ADA Compliant
	Floor Scrubber

Note: The PDS loading capabilities shown above are based upon average equipment weights, wheel types and sizes. For project-specific loading capabilities, contact MM Systems with technical data related to wheel type, contact area (footprint), distributed load per wheel, and speed of traffic.



50 MM WAY  
PENDERGRASS, GA. 30567  
706-824-7500 PHONE

[www.mm.systems](http://www.mm.systems)

For Spec-Data, Install Guides, and other data visit [www.mm.systems](http://www.mm.systems)

#### RIGHTS OF DESIGN

All rights of design, detail, engineering and/or invention contained herein are the property of MM Systems and hereby reserved and are not to be reproduced or provided to any other party. MM Systems reserves the right to amend or withdraw any information contained herein without notice and will not be liable for any inaccuracy or ambiguity of said information.

#### Pan Design Seismic System Expansion Joint

#### PDS Series (Sizes 200-2400)

Drawn by:

LRM

Scale:

NTS

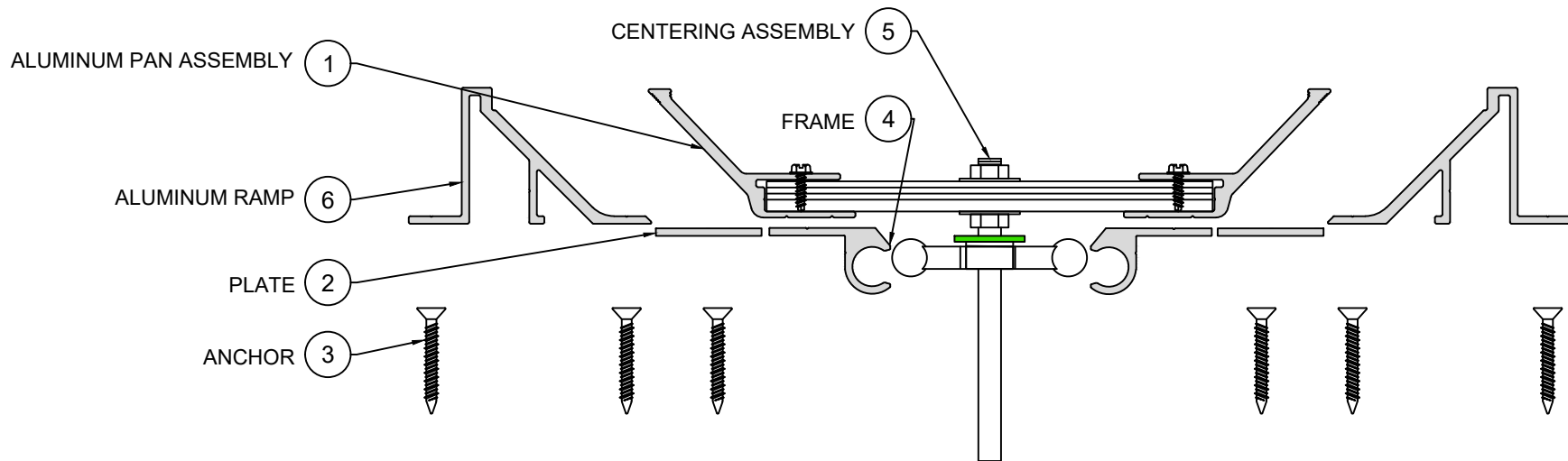
Drawing Number:

SHT. 2 OF 3

Issue Date:

03/04/2025

10100-01B



EXPLODED VIEW ▲

PART NUMBERS ▼

Locator	Part Component	PDS-200	PDS-300	PDS-400	PDS-500	PDS-600	PDS-700	PDS-800	PDS-900	PDS-1000	PDS-1100	PDS-1200
1	Aluminum Pan Assembly	ASSY-PAN1 104-225H-I	ASSY-PAN1 204-225H-I	ASSY-PAN1 111-225H-I	ASSY-PAN1 211-225H-I	ASSY-PAN1 311-225H-I	ASSY-PAN1 414-225H-I	ASSY-PAN1 606-225H-I	ASSY-PAN1 714-225H-I	ASSY-PAN1 906-225H-I	ASSY-PAN2 014-225H-I	ASSY-PAN2 206-225H-I
2	Plate	N/A	N/A	N/A	N/A	N/A	N/A	N/A	N/A	N/A	N/A	N/A
3	Anchor	9406	9406	9406	9406	9406	9406	9406	9406	9406	9406	9406
4	Frame	8494-M-10	8494-M-10	8494-M-10	8494-M-10	8494-M-10	8494-M-10	8494-M-10	8494-M-10	8494-M-10	8494-M-10	8494-M-10
5	Centering Assembly	ASSY-SCD- PDS-1000	ASSY-SCD- PDS-1000	ASSY-SCD- PDS-1000	ASSY-SCD- PDS-1000	ASSY-SCD- PDS-1000	ASSY-SCD- PDS-1000	ASSY-SCD- PDS-1200	ASSY-SCD- PDS-1400	ASSY-SCD- PDS-1400	ASSY-SCD- PDS-1800	ASSY-SCD- PDS-1800
6	Aluminum Ramp	8489-M-10	8489-M-10	8489-M-10	8489-M-10	8489-M-10	8489-M-10	8489-M-10	8489-M-10	8489-M-10	8489-M-10	8489-M-10

Locator	Part Component	PDS-1300	PDS-1400	PDS-1500	PDS-1600	PDS-1700	PDS-1800	PDS-1900	PDS-2000	PDS-2100	PDS-2200	PDS-2300	PDS-2400
1	Aluminum Pan	ASSY-PAN2 314-225H-I	ASSY-PAN2 506-225H-I	ASSY-PAN2 614-225H-I	ASSY-PAN2 806-225H-I	ASSY-PAN2 914-225H-I	ASSY-PAN3 106-225H-I	ASSY-PAN3 214-225H-I	ASSY-PAN3 406-225H-I	ASSY-PAN3 514-225H-I	ASSY-PAN3 706-225H-I	ASSY-PAN3 814-225H-I	ASSY-PAN4 006-225H-I
2	Plate	CPZA-AM-10 -0104-00-18	CPZA-AM-10 -0108-00-18	CPZA-AM-10 -0112-00-18	CPZA-AM-10 -0200-00-18	CPZA-AM-10 -0204-00-18	CPZA-AM-10 -0208-00-18	CPZA-AM-10 -0212-00-18	CPZA-AM-10 -0300-00-18	CPZA-AM-10 -0304-00-18	CPZA-AM-10 -0308-00-18	CPZA-AM-10 -0312-00-18	CPZA-AM-10 -0400-00-18
3	Anchor	9406	9406	9406	9406	9406	9406	9406	9406	9406	9406	9406	9406
4	Frame	8494-M-10	8494-M-10	8494-M-10	8494-M-10	8494-M-10	8494-M-10	8494-M-10	8494-M-10	8494-M-10	8494-M-10	8494-M-10	8494-M-10
5	Centering Assembly	ASSY-SCD- PDS-2000	ASSY-SCD- PDS-2000	ASSY-SCD- PDS-2400	ASSY-SCD- PDS-2400	ASSY-SCD- PDS-2400	ASSY-SCD- PDS-2800	ASSY-SCD- PDS-2800	ASSY-SCD- PDS-2800	ASSY-SCD- PDS-3200	ASSY-SCD- PDS-3200	ASSY-SCD- PDS-3400	ASSY-SCD- PDS-3400



50 MM WAY  
PENDERGRASS, GA. 30567  
706-824-7500 PHONE

[www.mm.systems](http://www.mm.systems)

For Spec-Data, Install Guides, and other data visit [www.mm.systems](http://www.mm.systems)

### RIGHTS OF DESIGN

All rights of design, detail, engineering and/or invention contained herein are the property of MM Systems and hereby reserved and are not to be reproduced or provided to any other party. MM Systems reserves the right to amend or withdraw any information contained herein without notice and will not be liable for any inaccuracy or ambiguity of said information.

### Pan Design Seismic System Expansion Joint

### PDS Series (Sizes 200-2400)

Drawn by: LRM	Scale: NTS	Drawing Number:  <b>10100-01B</b>
SHT. 3 OF 3	Issue Date: 03/04/2025	