

**PDS Series Expansion Joint**  
**Sizes 200 through 2400**  
**(Slab-to-Slab)**



50 MM WAY  
 PENDERGRASS, GA. 30567  
 706-824-7500 PHONE

[www.mm.systems](http://www.mm.systems)

For Spec-Data, Install Guides, and other data visit [www.mm.systems](http://www.mm.systems)

**RIGHTS OF DESIGN**

All rights of design, detail, engineering and/or invention contained herein are the property of MM Systems and hereby reserved and are not to be reproduced or provided to any other party. MM Systems reserves the right to amend or withdraw any information contained herein without notice and will not be liable for any inaccuracy or ambiguity of said information.

**Pan Design Seismic System Expansion Joint**

**PDS Series (Sizes 200-2400)**

Drawn by: LRM	Scale: NTS	Drawing Number:  <b>10100-01A</b>
SHT. 1 OF 3	Issue Date: 03/04/2025	

### PDS SERIES EXPANSION JOINT MOVEMENT CHART

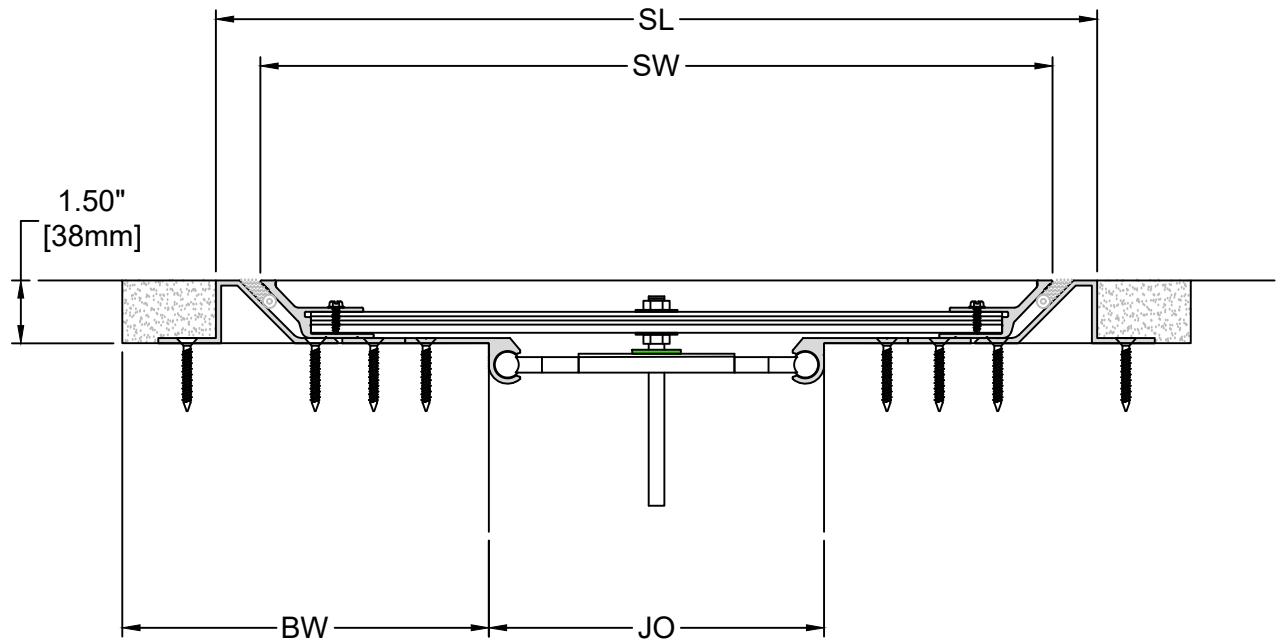
Model Number	Joint Opening (JO <sup>h</sup> )		Sight Line (SL <sup>h</sup> )		Thermal Movement (JO <sup>v</sup> )				Seismic Movement (JO <sup>s</sup> )				Total (JO <sup>t</sup> )		Slide Plate Width (SW)		Blockout Width (BW)	
	Nominal		Nominal		Minimum	Maximum			Minimum	Maximum			Movement				Nominal	
PDS-200	<b>2.00</b>	51	11.91	302	<b>1.50</b>	38	<b>2.50</b>	64	<b>1.00</b>	25	<b>3.00</b>	76	<b>2.00</b>	51	9.78	248	7.00	178
PDS-300	<b>3.00</b>	76	12.91	328	<b>2.25</b>	57	<b>3.75</b>	95	<b>1.50</b>	38	<b>4.50</b>	114	<b>3.00</b>	76	10.78	274	7.50	191
PDS-400	<b>4.00</b>	102	12.34	314	<b>3.25</b>	83	<b>4.75</b>	121	<b>2.00</b>	51	<b>6.00</b>	152	<b>4.00</b>	102	10.22	260	6.50	165
PDS-500	<b>5.00</b>	127	13.34	339	<b>4.25</b>	108	<b>5.75</b>	254	<b>2.50</b>	64	<b>7.50</b>	191	<b>5.00</b>	127	11.22	285	6.50	165
PDS-600	<b>6.00</b>	152	14.34	364	<b>5.25</b>	133	<b>7.75</b>	197	<b>3.00</b>	76	<b>9.00</b>	229	<b>6.00</b>	152	12.22	310	6.50	165
PDS-700	<b>7.00</b>	178	15.53	394	<b>6.25</b>	159	<b>7.75</b>	197	<b>3.50</b>	89	<b>10.50</b>	267	<b>7.00</b>	178	13.41	341	6.50	165
PDS-800	<b>8.00</b>	203	17.03	433	<b>7.25</b>	184	<b>8.75</b>	222	<b>4.00</b>	102	<b>12.00</b>	305	<b>8.00</b>	203	14.91	379	6.75	172
PDS-900	<b>9.00</b>	229	18.53	471	<b>8.25</b>	210	<b>9.75</b>	248	<b>4.50</b>	114	<b>13.50</b>	343	<b>9.00</b>	229	16.41	417	6.75	172
PDS-1000	<b>10.00</b>	254	20.03	509	<b>9.25</b>	235	<b>10.75</b>	273	<b>5.00</b>	127	<b>15.00</b>	381	<b>10.00</b>	254	17.91	455	7.25	184
PDS-1100	<b>11.00</b>	279	21.53	547	<b>10.25</b>	260	<b>11.75</b>	299	<b>5.50</b>	140	<b>16.50</b>	419	<b>11.00</b>	279	19.41	493	7.50	191
PDS-1200	<b>12.00</b>	305	23.03	585	<b>11.25</b>	286	<b>12.75</b>	324	<b>6.00</b>	152	<b>18.00</b>	457	<b>12.00</b>	305	20.91	531	7.75	197
PDS-1300	<b>13.00</b>	330	24.53	610	<b>12.25</b>	311	<b>13.75</b>	349	<b>6.50</b>	165	<b>19.50</b>	495	<b>13.00</b>	330	22.41	569	8.00	203
PDS-1400	<b>14.00</b>	356	26.03	661	<b>13.25</b>	337	<b>14.75</b>	362	<b>7.00</b>	178	<b>21.00</b>	533	<b>14.00</b>	356	23.91	607	8.25	210
PDS-1500	<b>15.00</b>	381	27.53	699	<b>14.25</b>	375	<b>15.75</b>	400	<b>7.50</b>	191	<b>22.50</b>	572	<b>15.00</b>	381	25.41	645	8.50	216
PDS-1600	<b>16.00</b>	406	29.03	737	<b>15.25</b>	387	<b>16.75</b>	426	<b>8.00</b>	203	<b>24.00</b>	610	<b>16.00</b>	406	26.91	683	8.75	222
PDS-1700	<b>17.00</b>	432	30.53	776	<b>16.25</b>	413	<b>17.75</b>	451	<b>8.50</b>	216	<b>25.50</b>	648	<b>17.00</b>	432	28.41	722	9.00	229
PDS-1800	<b>18.00</b>	457	32.03	814	<b>17.25</b>	438	<b>18.75</b>	476	<b>9.00</b>	229	<b>27.00</b>	686	<b>18.00</b>	457	29.91	760	9.25	235
PDS-1900	<b>19.00</b>	483	33.53	852	<b>18.25</b>	464	<b>19.75</b>	502	<b>9.50</b>	241	<b>28.50</b>	724	<b>19.00</b>	483	31.41	798	9.50	241
PDS-2000	<b>20.00</b>	508	35.03	890	<b>19.25</b>	489	<b>20.75</b>	527	<b>10.00</b>	254	<b>30.00</b>	762	<b>20.00</b>	508	32.87	835	9.75	248
PDS-2100	<b>21.00</b>	533	36.53	928	<b>20.25</b>	514	<b>21.75</b>	553	<b>10.50</b>	267	<b>31.50</b>	800	<b>21.00</b>	533	34.41	874	10.00	254
PDS-2200	<b>22.00</b>	559	38.03	966	<b>21.25</b>	540	<b>22.75</b>	578	<b>11.00</b>	279	<b>33.00</b>	838	<b>22.00</b>	559	35.91	912	10.25	260
PDS-2300	<b>23.00</b>	584	39.53	1004	<b>22.25</b>	565	<b>23.75</b>	603	<b>11.50</b>	292	<b>34.50</b>	876	<b>23.00</b>	584	37.41	950	10.50	267
PDS-2400	<b>24.00</b>	610	41.03	1042	<b>23.25</b>	591	<b>24.75</b>	629	<b>12.00</b>	305	<b>36.00</b>	914	<b>24.00</b>	610	38.90	988	10.75	273

Dimension shown in **inches** (bold) and millimeters. Refer to the PDS AutoCAD file for individual system drawings.

#### LOAD TABLE

	Safe Walking Surface
	Passenger Cart
	Carpet Cleaner
	ADA Compliant
	Floor Scrubber

Note: The PDS loading capabilities shown above are based upon average equipment weights, wheel types and sizes. For project-specific loading capabilities, contact MM Systems with technical data related to wheel type, contact area (footprint), distributed load per wheel, and speed of traffic.



50 MM WAY  
PENDERGRASS, GA. 30567  
706-824-7500 PHONE

[www.mm.systems](http://www.mm.systems)

For Spec-Data, Install Guides, and other data visit [www.mm.systems](http://www.mm.systems)

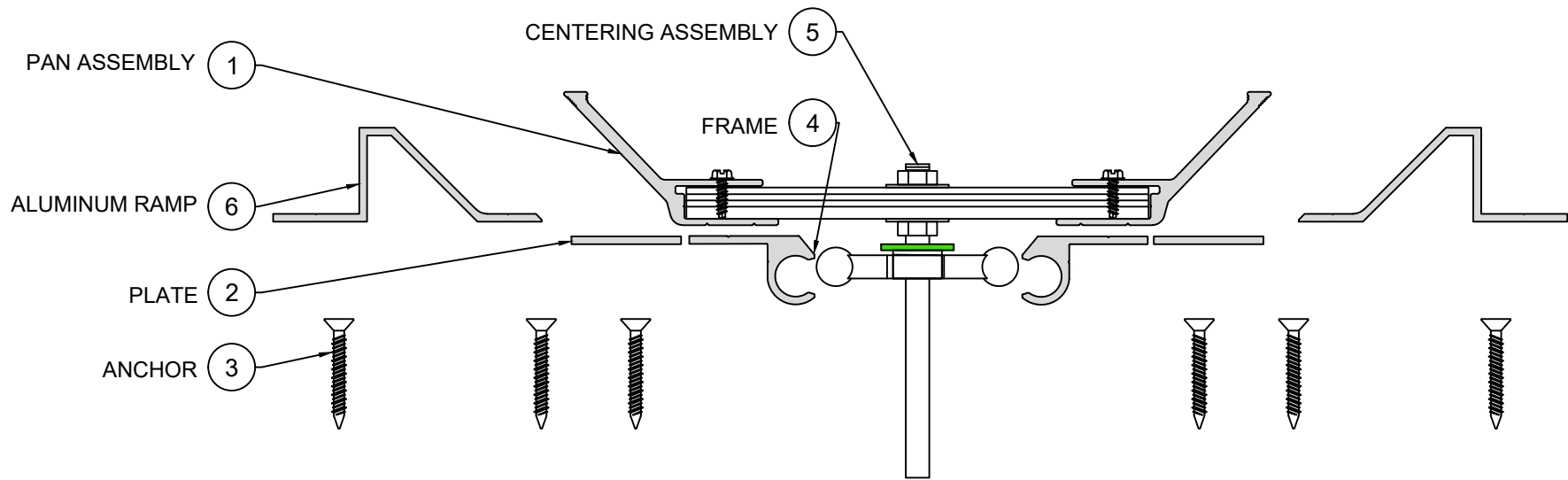
#### RIGHTS OF DESIGN

All rights of design, detail, engineering and/or invention contained herein are the property of MM Systems and hereby reserved and are not to be reproduced or provided to any other party. MM Systems reserves the right to amend or withdraw any information contained herein without notice and will not be liable for any inaccuracy or ambiguity of said information.

#### Pan Design Seismic System Expansion Joint

#### PDS Series (Sizes 200-2400)

Drawn by: LRM	Scale: NTS	Drawing Number:  <b>10100-01A</b>
SHT. 2 OF 3	Issue Date: 03/04/2025	



EXPLODED VIEW ▲

▼ PART NUMBERS

Locator	Part Component	PDS-200	PDS-300	PDS-400	PDS-500	PDS-600	PDS-700	PDS-800	PDS-900	PDS-1000	PDS-1100	PDS-1200
1	Pan Assembly	ASSY-PAN091 2-150H-I	ASSY-PAN101 2-150H-I	ASSY-PAN100 4-150H-I	ASSY-PAN110 4-150H-I	ASSY-PAN120 4-150H-I	ASSY-PAN130 7-150H-I	ASSY-PAN141 5-150H-I	ASSY-PAN160 6-150H-I	ASSY-PAN171 5-150H-I	ASSY-PAN190 7-150H-I	ASSY-PAN201 5-150H-I
2	Plate	N/A	N/A	N/A	N/A	N/A	N/A	N/A	N/A	N/A	N/A	N/A
3	Anchor	9406	9406	9406	9406	9406	9406	9406	9406	9406	9406	9406
4	Frame	8494-M-10	8494-M-10	8494-M-10	8494-M-10	8494-M-10	8494-M-10	8494-M-10	8494-M-10	8494-M-10	8494-M-10	8494-M-10
5	Centering Assembly	ASSY-SCD-PD S-1000	ASSY-SCD-PD S-1000	ASSY-SCD-PD S-1000	ASSY-SCD-PD S-1000	ASSY-SCD-PD S-1000	ASSY-SCD-PD S-1000	ASSY-SCD-PD S-1200	ASSY-SCD-PD S-1400	ASSY-SCD-PD S-1400	ASSY-SCD-PD S-1800	ASSY-SCD-PD S-1800
6	Aluminum Ramp	8160-M-10	8160-M-10	8160-M-10	8160-M-10	8160-M-10	8160-M-10	8160-M-10	8160-M-10	8160-M-10	8160-M-10	8160-M-10

Locator	Part Component	PDS-1300	PDS-1400	PDS-1500	PDS-1600	PDS-1700	PDS-1800	PDS-1900	PDS-2000	PDS-2100	PDS-2200	PDS-2300	PDS-2400
1	Aluminum Pan	ASSY-PAN220 6-150H-I	ASSY-PAN231 4-150H-I	ASSY-PAN250 7-150H-I	ASSY-PAN261 5-150H-I	ASSY-PAN280 6-150H-I	ASSY-PAN291 5-150H-I	ASSY-PAN310 7-150H-I	ASSY-PAN321 4-150H-I	ASSY-PAN341 4-150H-I	ASSY-PAN351 5-150H-I	ASSY-PAN370 7-150H-I	ASSY-PAN381 5-150H-I
2	Plate	CPZA-AM-10-0 012-00-18	CPZA-AM-10-0 100-00-18	CPZA-AM-10-0 104-00-18	CPZA-AM-10-0 108-00-18	CPZA-AM-10-0 112-00-18	CPZA-AM-10-0 200-00-18	CPZA-AM-10-0 204-00-18	CPZA-AM-10-0 208-00-18	CPZA-AM-10-0 212-00-18	CPZA-AM-10-0 300-00-18	CPZA-AM-10-0 304-00-18	CPZA-AM-10-0 308-00-18
3	Anchor	9406	9406	9406	9406	9406	9406	9406	9406	9406	9406	9406	9406
4	Frame	8494-M-10	8494-M-10	8494-M-10	8494-M-10	8494-M-10	8494-M-10	8494-M-10	8494-M-10	8494-M-10	8494-M-10	8494-M-10	8494-M-10
5	Centering Assembly	ASSY-SCD-PD S-2000	ASSY-SCD-PD S-2000	ASSY-SCD-PD S-2400	ASSY-SCD-PD S-2400	ASSY-SCD-PD S-2400	ASSY-SCD-PD S-2800	ASSY-SCD-PD S-2800	ASSY-SCD-PD S-2800	ASSY-SCD-PD S-3200	ASSY-SCD-PD S-3200	ASSY-SCD-PD S-3400	ASSY-SCD-PD S-3400
6	Aluminum Ramp	8160-M-10	8160-M-10	8160-M-10	8160-M-10	8160-M-10	8160-M-10	8160-M-10	8160-M-10	8160-M-10	8160-M-10	8160-M-10	8160-M-10



50 MM WAY  
PENDERGRASS, GA. 30567  
706-824-7500 PHONE

[www.mm.systems](http://www.mm.systems)

For Spec-Data, Install Guides, and other data visit [www.mm.systems](http://www.mm.systems)

### RIGHTS OF DESIGN

All rights of design, detail, engineering and/or invention contained herein are the property of MM Systems and hereby reserved and are not to be reproduced or provided to any other party. MM Systems reserves the right to amend or withdraw any information contained herein without notice and will not be liable for any inaccuracy or ambiguity of said information.

### Pan Design Seismic System Expansion Joint

### PDS Series (Sizes 200-2400)

Drawn by: LRM	Scale: NTS	Drawing Number:  <b>10100-01A</b>
SHT. 3 OF 3	Issue Date: 03/04/2025	