

PDS Series Expansion Joint
Sizes 200 through 2400
(Slab-to-Slab)



50 MM WAY
 PENDERGRASS, GA. 30567
 706-824-7500 PHONE

www.mm.systems

For Spec-Data, Install Guides, and other data visit www.mm.systems

RIGHTS OF DESIGN

All rights of design, detail, engineering and/or invention contained herein are the property of MM Systems and hereby reserved and are not to be reproduced or provided to any other party. MM Systems reserves the right to amend or withdraw any information contained herein without notice and will not be liable for any inaccuracy or ambiguity of said information.

Pan Design Seismic System Expansion Joint






PDS Series (Sizes 200-2400)

Drawn by: LRM	Scale: NTS	Drawing Number: 10100-01D
SHT. 1 OF 3	Issue Date: 03/04/2025	

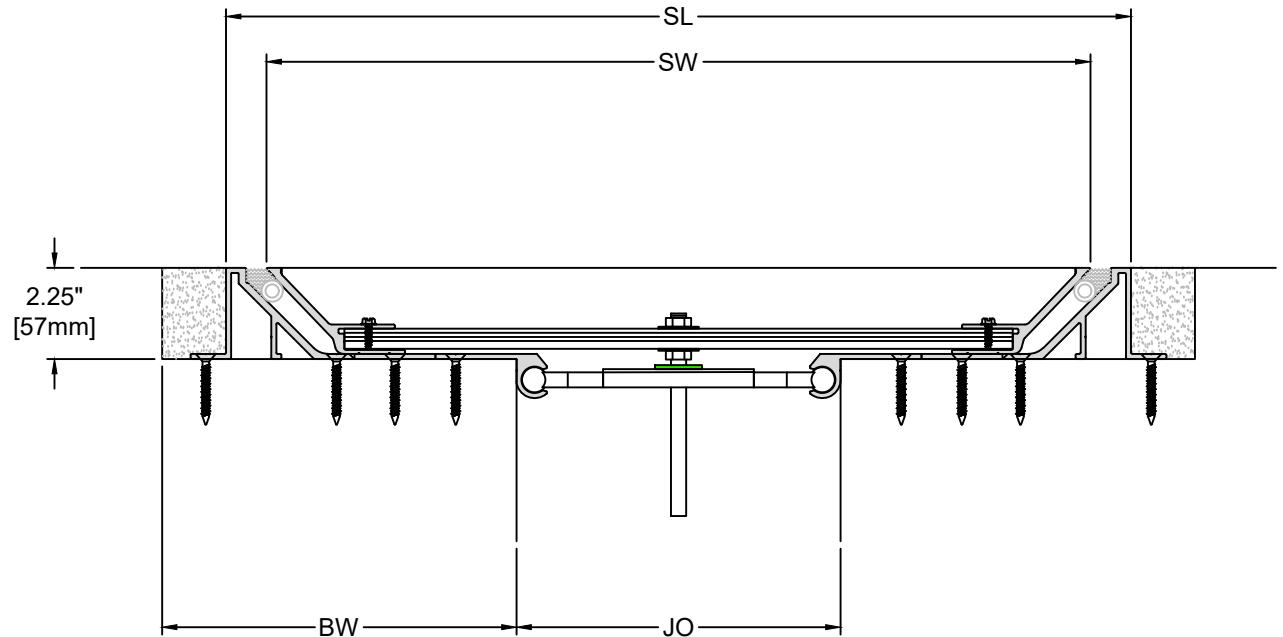
PDS SERIES EXPANSION JOINT MOVEMENT CHART

Model Number	Joint Opening (JO ^h)		Sight Line (SL ^h)		Thermal Movement (JO ¹)			Seismic Movement (JO ²)			Total (JO ^h) Movement		Slide Plate Width (SW)		Blockout Width (BW)			
	Nominal		Nominal		Minimum	Maximum		Minimum	Maximum		Movement		SW		Nominal			
PDS-200	2.00	51	13.22	336	1.00	25	2.75	70	1.00	25	3.00	76	2.00	51	11.22	285	7.00	178
PDS-300	3.00	76	14.22	361	1.50	38	4.75	121	2.00	51	6.00	152	4.50	114	12.22	285	7.50	191
PDS-400	4.00	102	14.34	364	2.00	51	4.75	121	2.50	64	8.00	203	6.00	152	12.34	314	6.875	175
PDS-500	5.00	127	16.34	415	2.50	64	5.75	146	2.50	64	10.00	254	7.50	191	14.34	364	7.375	187
PDS-600	6.00	152	18.34	466	3.00	76	6.75	171	2.50	64	12.00	305	9.50	241	16.34	415	7.875	200
PDS-700	7.00	178	20.34	517	3.50	89	7.75	197	2.50	64	14.00	336	11.50	292	18.34	466	8.25	210
PDS-800	8.00	203	22.34	567	4.00	102	8.75	222	2.50	64	16.00	406	13.50	343	20.34	517	8.75	222
PDS-900	9.00	229	24.34	618	4.50	114	9.75	248	2.50	64	18.00	457	15.50	394	22.34	567	9.25	235
PDS-1000	10.00	254	26.34	669	5.00	127	10.75	273	2.50	64	20.00	508	17.50	445	24.34	618	9.75	235
PDS-1100	11.00	279	28.34	720	5.50	140	11.75	298	2.50	64	22.00	559	19.50	495	26.34	669	10.25	260
PDS-1200	12.00	305	30.34	771	6.00	152	12.75	324	2.50	64	24.00	610	21.50	546	28.34	720	10.75	273
PDS-1300	13.00	330	32.34	821	6.50	165	13.75	349	2.50	64	26.00	660	23.50	597	30.34	771	11.25	286
PDS-1400	14.00	356	34.34	872	7.00	178	14.75	375	2.50	64	28.00	711	25.50	648	32.34	821	11.75	299
PDS-1500	15.00	381	36.34	923	7.50	191	15.75	400	2.50	64	30.00	762	27.50	699	34.34	872	12.25	311
PDS-1600	16.00	406	38.34	974	8.00	203	16.75	425	2.50	64	32.00	813	29.50	749	36.34	923	12.75	324
PDS-1700	17.00	432	40.34	1024	8.50	216	18.75	464	2.50	64	34.00	864	31.50	800	38.34	974	13.25	337
PDS-1800	18.00	457	42.34	1075	9.00	229	19.75	502	2.50	64	36.00	914	33.50	851	40.34	1024	13.75	349
PDS-1900	19.00	483	44.34	1126	9.50	241	20.75	527	2.50	64	38.00	965	35.50	902	42.34	1075	14.25	362
PDS-2000	20.00	508	46.34	1177	10.00	254	21.75	552	2.50	64	40.00	1016	37.50	953	44.34	1126	14.75	375
PDS-2100	21.00	533	48.34	1227	10.50	267	22.75	578	2.50	64	42.00	1067	39.50	1003	46.34	1177	15.25	387
PDS-2200	22.00	559	50.34	1279	11.00	279	23.75	603	2.50	64	44.00	1118	41.50	1054	48.34	1227	15.75	400
PDS-2300	23.00	584	52.34	1330	11.50	292	24.75	629	2.50	64	46.00	1168	43.50	1105	50.34	1279	16.25	413
PDS-2400	24.00	610	54.34	1380	12.00	305	25.75	654	2.50	64	48.00	1219	45.50	1156	52.34	1330	16.75	426

Dimension shown in **inches** (bold) and millimeters. Refer to the PDS AutoCAD file for individual system drawings.

LOAD TABLE	
	Safe Walking Surface
	Passenger Cart
	Carpet Cleaner
	ADA Compliant
	Floor Scrubber

Note: The PDS loading capabilities shown above are based upon average equipment weights, wheel types and sizes. For project-specific loading capabilities, contact MM Systems with technical data related to wheel type, contact area (footprint), distributed load per wheel, and speed of traffic.



50 MM WAY
PENDERGRASS, GA. 30567
706-824-7500 PHONE

www.mm.systems

For Spec-Data, Install Guides, and other data visit www.mm.systems

RIGHTS OF DESIGN

All rights of design, detail, engineering and/or invention contained herein are the property of MM Systems and hereby reserved and are not to be reproduced or provided to any other party. MM Systems reserves the right to amend or withdraw any information contained herein without notice and will not be liable for any inaccuracy or ambiguity of said information.

Pan Design Seismic System Expansion Joint

PDS Series (Sizes 200-2400)

Drawn by:

LRM

Scale:

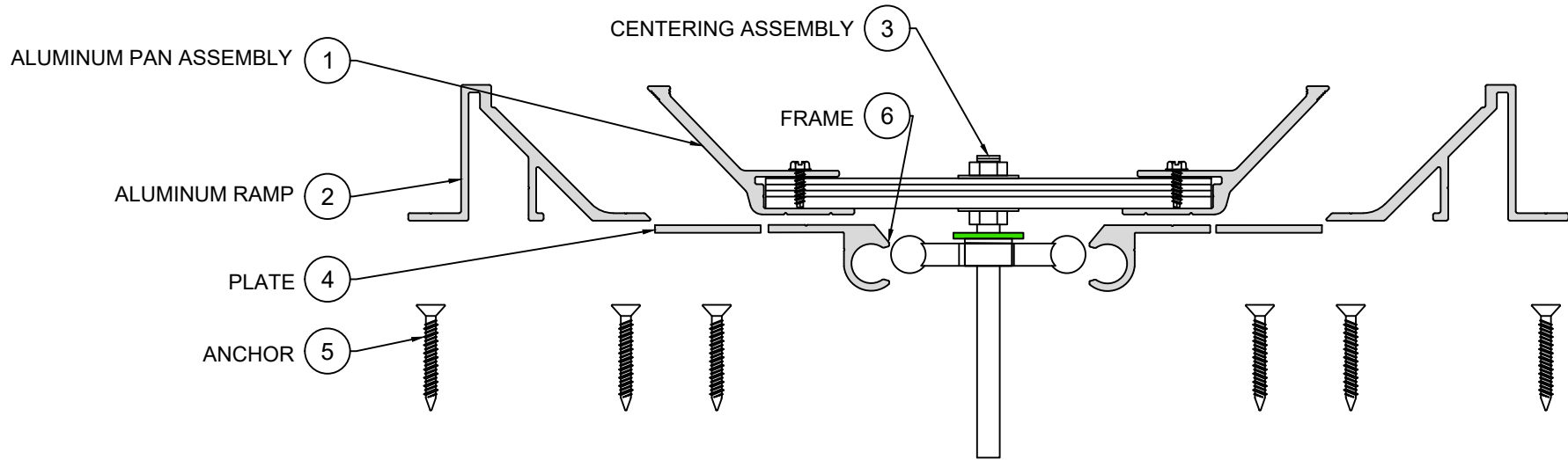
NTS

Drawing Number:

SHT. 2 OF 3

Issue Date:
03/04/2025

10100-01D



EXPLODED VIEW ▲

▼ PART NUMBERS

Locator	Part Component	PDS-200	PDS-300	PDS-400	PDS-500	PDS-600	PDS-700	PDS-800	PDS-900	PDS-1000	PDS-1100	PDS-1200
1	Aluminum Pan Assembly	ASSY-PAN1104-225H-I	ASSY-PAN1204-225H-I	ASSY-PAN1206-225H-I	ASSY-PAN1406-225H-I	ASSY-PAN1606-225H-I	ASSY-PAN1806-225H-I	ASSY-PAN2006-225H-I	ASSY-PAN2206-225H-I	ASSY-PAN2406-225H-I	ASSY-PAN2606-225H-I	ASSY-PAN2806-225H-I
2	Aluminum Ramp	7018-M-10	7018-M-10	7018-M-10	7018-M-10	7018-M-10	7018-M-10	7018-M-10	7018-M-10	7018-M-10	7018-M-10	7018-M-10
3	Centering Assembly	ASSY-SCD-PDS-1000	ASSY-SCD-PDS-1000	ASSY-SCD-PDS-1000	ASSY-SCD-PDS-1000	ASSY-SCD-PDS-1000	ASSY-SCD-PDS-1000	ASSY-SCD-PDS-1200	ASSY-SCD-PDS-1400	ASSY-SCD-PDS-1400	ASSY-SCD-PDS-1800	ASSY-SCD-PDS-1800
4	Plate	N/A	N/A	N/A	N/A	CPZA-AM-10-01-00-00-18	CPZA-AM-10-01-08-00-18	CPZA-AM-10-02-00-00-18	CPZA-AM-10-02-08-00-18	CPZA-AM-10-03-00-00-18	CPZA-AM-10-03-08-00-18	CPZA-AM-10-04-08-00-18
5	Anchor	9406	9406	9406	9406	9406	9406	9406	9406	9406	9406	9406
6	Frame	8494-M-10	8494-M-10	8494-M-10	8494-M-10	8494-M-10	8494-M-10	8494-M-10	8494-M-10	8494-M-10	8494-M-10	8494-M-10

Locator	Part Component	PDS-1300	PDS-1400	PDS-1500	PDS-1600	PDS-1700	PDS-1800	PDS-1900	PDS-2000	PDS-2100	PDS-2200	PDS-2300	PDS-2400
1	Aluminum Pan Assembly	ASSY-PAN3006-225H-I	ASSY-PAN3206-225H-I	ASSY-PAN3406-225H-I	ASSY-PAN3606-225H-I	ASSY-PAN3806-225H-I	ASSY-PAN4006-225H-I	ASSY-PAN4206-225H-I	ASSY-PAN4406-225H-I	ASSY-PAN4606-225H-I	ASSY-PAN4806-225H-I	ASSY-PAN5006-225H-I	ASSY-PAN5206-225H-I
2	Aluminum Ramp	7018-M-10	7018-M-10	7018-M-10	7018-M-10	7018-M-10	7018-M-10	7018-M-10	7018-M-10	7018-M-10	7018-M-10	7018-M-10	7018-M-10
3	Centering Assembly	ASSY-SCD-PDS-2000	ASSY-SCD-PDS-2000	ASSY-SCD-PDS-2400	ASSY-SCD-PDS-2400	ASSY-SCD-PDS-2400	ASSY-SCD-PDS-2800	ASSY-SCD-PDS-2800	ASSY-SCD-PDS-2800	ASSY-SCD-PDS-3200	ASSY-SCD-PDS-3200	ASSY-SCD-PDS-3400	ASSY-SCD-PDS-3400
4	Plate	CPZA-AM-10-04-08-00-18	CPZA-AM-10-05-00-00-18	CPZA-AM-10-05-08-00-18	CPZA-AM-10-06-00-00-18	CPZA-AM-10-06-08-00-18	CPZA-AM-10-07-00-00-18	CPZA-AM-10-07-08-00-18	CPZA-AM-10-08-00-00-18	CPZA-AM-10-08-08-00-18	CPZA-AM-10-09-00-00-18	CPZA-AM-10-09-08-00-18	CPZA-AM-10-10-00-00-18
5	Anchor	9406	9406	9406	9406	9406	9406	9406	9406	9406	9406	9406	9406
6	Frame	8494-M-10	8494-M-10	8494-M-10	8494-M-10	8494-M-10	8494-M-10	8494-M-10	8494-M-10	8494-M-10	8494-M-10	8494-M-10	8494-M-10



50 MM WAY
PENDERGRASS, GA. 30567
706-824-7500 PHONE

www.mm.systems

For Spec-Data, Install Guides, and other data visit www.mm.systems

RIGHTS OF DESIGN

All rights of design, detail, engineering and/or invention contained herein are the property of MM Systems and hereby reserved and are not to be reproduced or provided to any other party. MM Systems reserves the right to amend or withdraw any information contained herein without notice and will not be liable for any inaccuracy or ambiguity of said information.

Pan Design Seismic System Expansion Joint

PDS Series (Sizes 200-2400)

Drawn by: LRM	Scale: NTS	Drawing Number: 10100-01D
SHT. 3 OF 3	Issue Date: 03/04/2025	