



**Surface Mount Option**  
**FX-K Series Expansion Joint**



**Recessed Option**  
**FX-K Series Expansion Joint**



50 MM WAY  
 PENDERGRASS, GA. 30567  
 706-824-7500 PHONE

[www.mm.systems](http://www.mm.systems)

For Spec-Data, Install Guides, and other data visit [www.mm.systems](http://www.mm.systems)

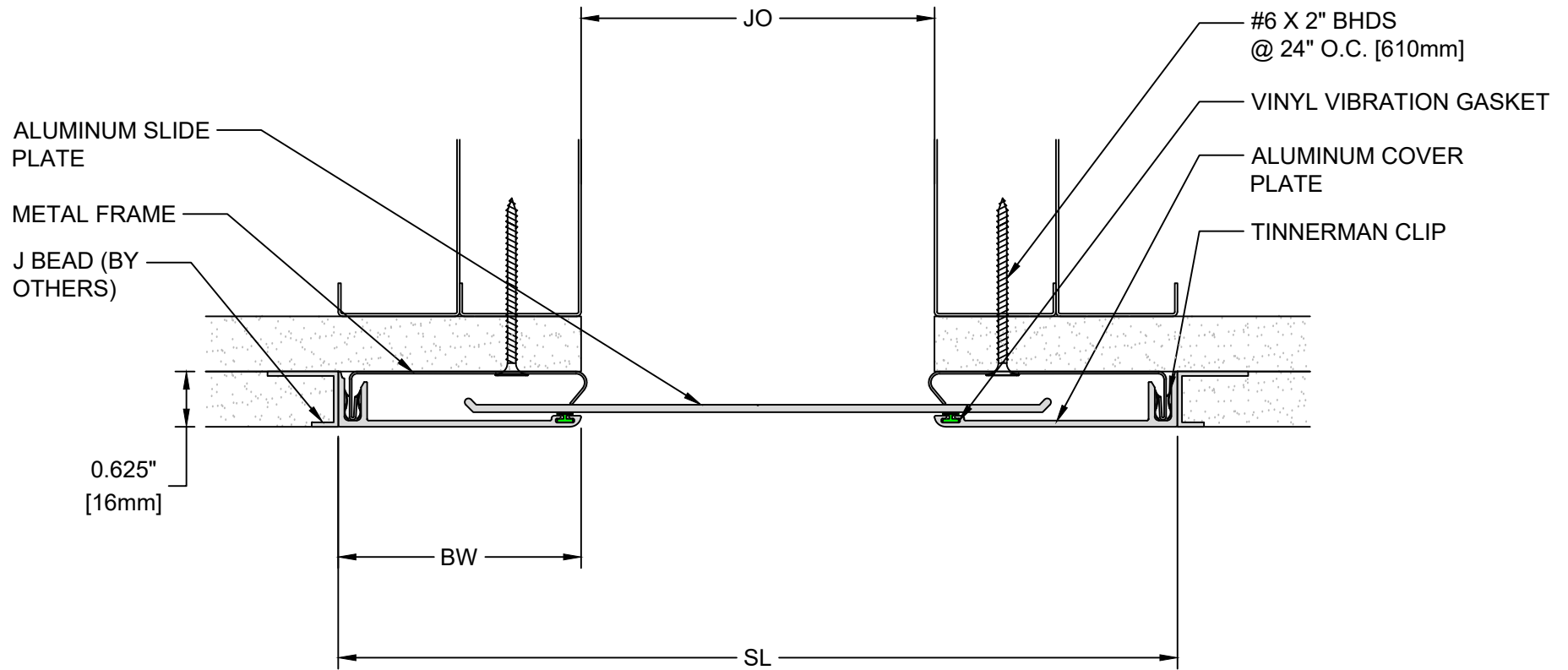
**RIGHTS OF DESIGN**

All rights of design, detail, engineering and/or invention contained herein are the property of MM Systems and hereby reserved and are not to be reproduced or provided to any other party. MM Systems reserves the right to amend or withdraw any information contained herein without notice and will not be liable for any inaccuracy or ambiguity of said information.

**Interior Aluminum Wall & Ceiling Cover**

**FX-K Series (100-800)**

Drawn by: LRM	Scale: NTS	Drawing Number:  <b>20000-01</b>
SHT. 1 OF 4	Issue Date: 05/02/2024	



**FX-K Series Expansion Joint**  
**Sizes 100 through 800**  
**(Wall-to-Wall)**



50 MM WAY  
 PENDERGRASS, GA. 30567  
 706-824-7500 PHONE

[www.mm.systems](http://www.mm.systems)

For Spec-Data, Install Guides, and other data visit [www.mm.systems](http://www.mm.systems)

**RIGHTS OF DESIGN**

All rights of design, detail, engineering and/or invention contained herein are the property of MM Systems and hereby reserved and are not to be reproduced or provided to any other party. MM Systems reserves the right to amend or withdraw any information contained herein without notice and will not be liable for any inaccuracy or ambiguity of said information.

**Interior Aluminum Wall & Ceiling Cover**

**FX-K Series (100-800)**

Drawn by: LRM	Scale: NTS	Drawing Number:  <b>20000-01</b>
SHT. 2 OF 4	Issue Date: 05/02/2024	

## FX-K SERIES EXPANSION JOINT MOVEMENT CHART (100-800)

Model Number	Joint Opening (JO <sup>N</sup> )		Thermal Movement (JO <sup>T</sup> )				Seismic Movement (JO <sup>S</sup> )				Total (JO <sup>A</sup> )		Blockout Width (BW)		Sight Line (SL)	
	Nominal		Minimum		Maximum		Minimum		Maximum		Movement		Nominal		Nominal	
	<b>FX-K-100</b>	<b>1.00</b>	25	<b>0.75</b>	19	<b>1.25</b>	32	<b>0.375</b>	10	<b>1.50</b>	38	<b>1.125</b>	29	<b>1.75</b>	44	<b>4.50</b>
<b>FX-K-200</b>	<b>2.00</b>	51	<b>1.50</b>	38	<b>2.50</b>	63	<b>1.375</b>	36	<b>2.50</b>	64	<b>1.125</b>	29	<b>1.75</b>	44	<b>5.50</b>	140
<b>FX-K-300</b>	<b>3.00</b>	76	<b>2.25</b>	57	<b>3.75</b>	95	<b>1.50</b>	38	<b>4.50</b>	115	<b>3.00</b>	76	<b>2.75</b>	70	<b>8.50</b>	216
<b>FX-K-400</b>	<b>4.00</b>	102	<b>3.00</b>	76	<b>5.00</b>	127	<b>2.1875</b>	55	<b>6.0625</b>	154	<b>3.875</b>	99	<b>2.75</b>	70	<b>9.50</b>	241
<b>FX-K-500</b>	<b>5.00</b>	127	<b>3.75</b>	96	<b>6.25</b>	159	<b>2.75</b>	70	<b>7.5625</b>	192	<b>4.8125</b>	122	<b>3.75</b>	95	<b>12.50</b>	318
<b>FX-K-600</b>	<b>6.00</b>	152	<b>4.50</b>	114	<b>7.50</b>	191	<b>4.25</b>	108	<b>9.0625</b>	230	<b>4.8125</b>	122	<b>3.75</b>	95	<b>13.50</b>	343
<b>FX-K-700</b>	<b>7.00</b>	178	<b>5.25</b>	113	<b>8.75</b>	222	<b>4.0625</b>	103	<b>10.125</b>	257	<b>6.0625</b>	154	<b>4.75</b>	121	<b>16.50</b>	419
<b>FX-K-800</b>	<b>8.00</b>	203	<b>6.00</b>	152	<b>10.00</b>	254	<b>4.25</b>	108	<b>12.125</b>	308	<b>7.875</b>	200	<b>4.75</b>	121	<b>17.50</b>	445

Dimension shown in **inches** (bold) and millimeters. Refer to the FXK AutoCAD file for individual system drawings.

### CONSIDERATIONS



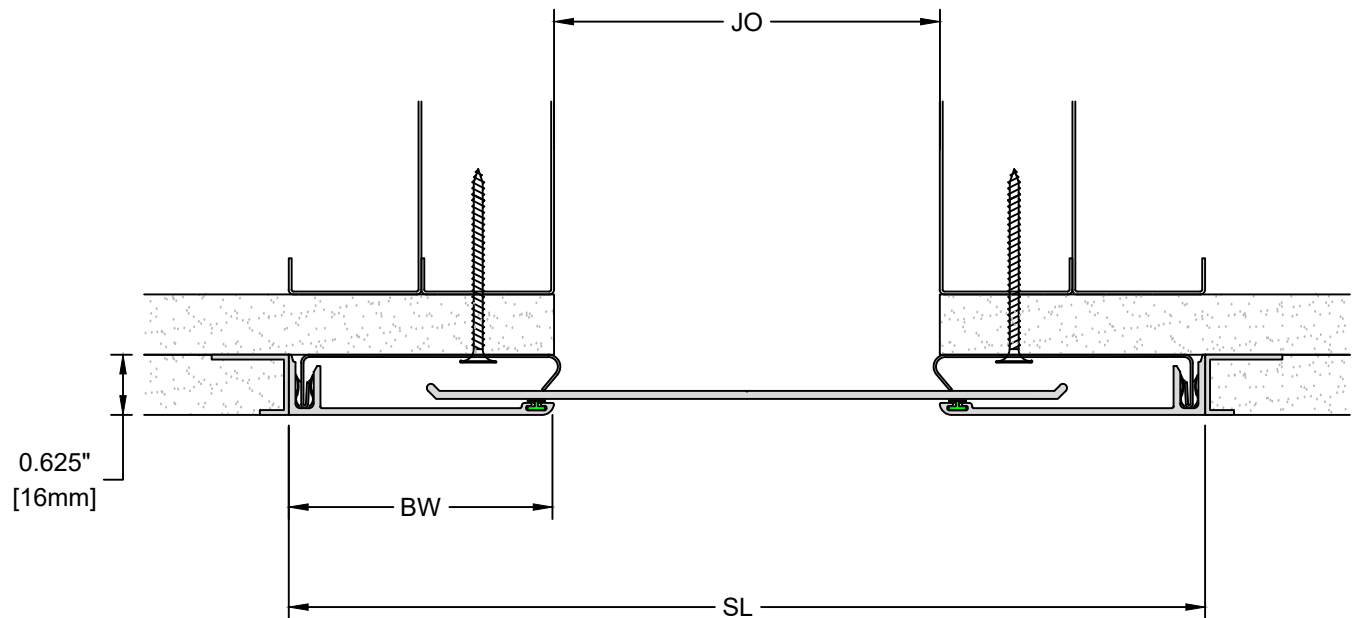
Color Options



Kynar Paint



Vandal Resistant



50 MM WAY  
PENDERGRASS, GA. 30567  
706-824-7500 PHONE

[www.mm.systems](http://www.mm.systems)

For Spec-Data, Install Guides, and other data visit [www.mm.systems](http://www.mm.systems)

### RIGHTS OF DESIGN

All rights of design, detail, engineering and/or invention contained herein are the property of MM Systems and hereby reserved and are not to be reproduced or provided to any other party. MM Systems reserves the right to amend or withdraw any information contained herein without notice and will not be liable for any inaccuracy or ambiguity of said information.

### Interior Aluminum Wall & Ceiling Cover

## FX-K Series (100-800)

Drawn by:

LRM

Scale:

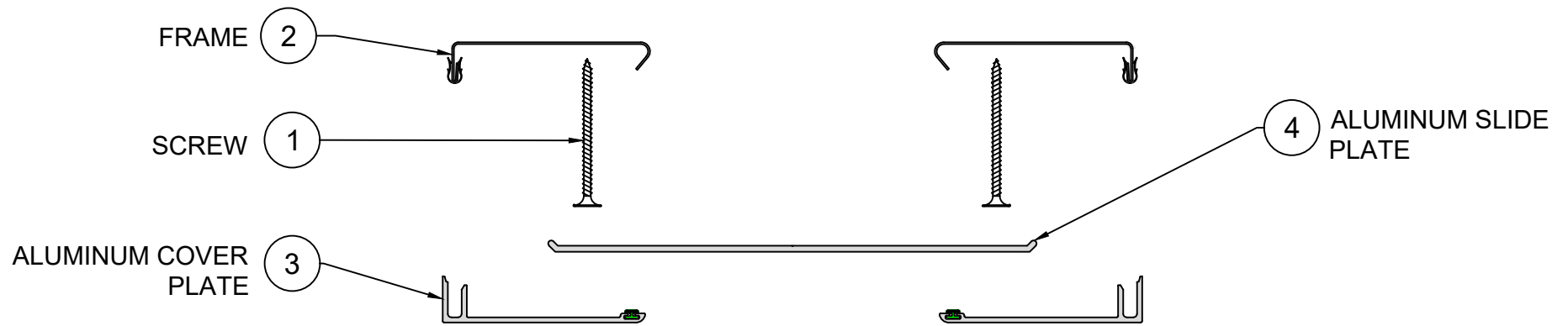
NTS

Drawing Number:

SHT. 3 OF 4

Issue Date:  
05/02/2024

20000-01



EXPLODED VIEW ▲

▼ PART NUMBERS

Locator	Part Component	FX-K-100	FX-K-200	FX-K-300	FX-K-400	FX-K-500	FX-K-600	FX-K-700	FX-K-800
1	Screw	9423	9423	9423	9423	9423	9423	9423	9423
2	Frame	FFAV-AA-10-0111 -01-00	FFAV-AA-10-0111 -01-00	FFAV-AA-10-0211 -01-00	FFAV-AA-10-0211 -01-00	FFAV-AA-10-0311 -01-00	FFAV-AA-10-0311 -01-00	FFAV-AA-10-0411 -01-00	FFAV-AA-10-0411 -01-00
3	Aluminum Cover Plate	9058	9058	9059	9059	9060	9060	9061	9061
4	Aluminum Slide Plate	8553-A-10	8560-A-10	8562-A-10	8566-A-10	FXAQ-AA-10-0810 -00-00	FXAQ-AA-10-0911 -00-00	FXAQ-AA-10-1103 -00-00	FXAQ-AA-10-1211 -00-00



50 MM WAY  
PENDERGRASS, GA. 30567  
706-824-7500 PHONE

[www.mm.systems](http://www.mm.systems)

For Spec-Data, Install Guides, and other data visit [www.mm.systems](http://www.mm.systems)

### RIGHTS OF DESIGN

All rights of design, detail, engineering and/or invention contained herein are the property of MM Systems and hereby reserved and are not to be reproduced or provided to any other party. MM Systems reserves the right to amend or withdraw any information contained herein without notice and will not be liable for any inaccuracy or ambiguity of said information.

### Interior Aluminum Wall & Ceiling Cover

### FX-K Series (100-800)

Drawn by: LRM	Scale: NTS	Drawing Number:  <b>20000-01</b>
SHT. 4 OF 4	Issue Date: 05/02/2024	