

AFP Series Expansion Joint
Sizes 100 through 700
(Slab-to-Slab)



50 MM WAY
 PENDERGRASS, GA. 30567
 706-824-7500 PHONE

www.mm.systems

For Spec-Data, Install Guides, and other data visit www.mm.systems

RIGHTS OF DESIGN

All rights of design, detail, engineering and/or invention contained herein are the property of MM Systems and hereby reserved and are not to be reproduced or provided to any other party. MM Systems reserves the right to amend or withdraw any information contained herein without notice and will not be liable for any inaccuracy or ambiguity of said information.

Surface Mounted Metal Cover System





AFP-C Series

Drawn by: LRM	Scale: NTS	Drawing Number: #19000-02
SHT. 1 OF 3	Issue Date: 05/06/2025	

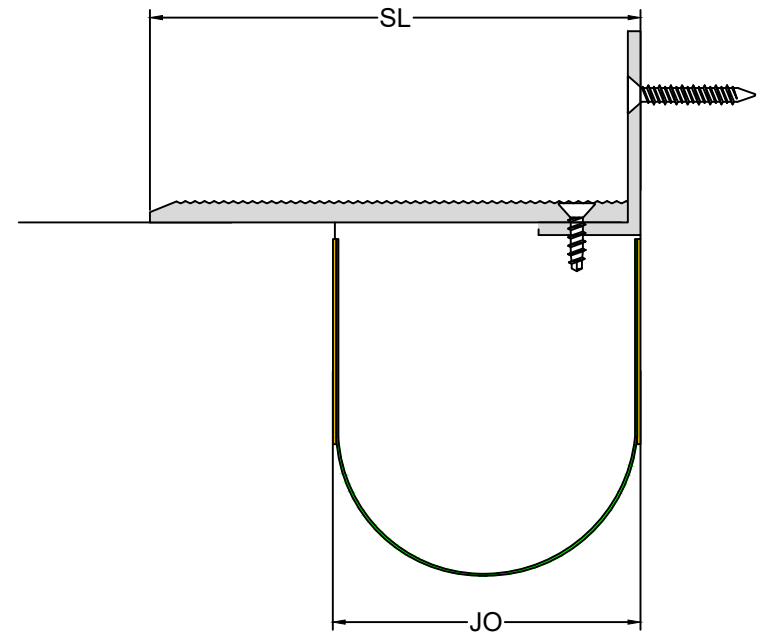
AFP-C SERIES EXPANSION JOINT MOVEMENT CHART (100-800)

Model Number	Joint Opening (JO ^N)		Sight Line (SL ^N)		Thermal Movement (JO ^T)				Seismic Movement (JO ^S)				Total (JO ^A)	
	Nominal		Nominal		Minimum		Maximum		Minimum		Maximum		Movement	
AFP-C-100	1.00	25	3.31	84	0.50	13	1.50	38	0.50	13	1.50	38	1.00	25
AFP-C-200	2.00	57	3.31	84	1.50	38	2.50	63	1.00	25	3.00	76	2.00	57
AFP-C-300	3.00	76	4.81	122	2.50	63	3.50	88	1.50	38	4.50	114	3.00	76
AFP-C-400	4.00	102	6.31	160	3.50	88	4.50	114	2.00	51	6.00	152	4.00	102
AFP-C-500	5.00	127	7.81	198	4.50	114	5.50	140	2.50	63	7.50	191	5.00	127
AFP-C-600	6.00	152	9.31	237	5.50	140	6.50	165	3.00	76	9.00	229	6.00	152
AFP-C-700	7.00	178	10.81	275	6.50	165	7.50	191	3.50	89	10.50	267	7.00	178

Dimension shown in **inches** (bold) and millimeters. Refer to the AFP-C AutoCAD file for individual system drawings.

LOAD TABLE	
	ADA Compliant
	Safe Walking Surface
	Hand Truck
	Shopping Cart

Note: The AFP-C loading capabilities shown above are based upon average vehicular and equipment weights, wheel types and sizes. For project-specific loading capabilities, contact MM Systems with technical data related to wheel type, contact area (footprint), distributed load per wheel, and speed of traffic.



50 MM WAY
PENDERGRASS, GA. 30567
706-824-7500 PHONE

www.mm.systems

For Spec-Data, Install Guides, and other data visit www.mm.systems

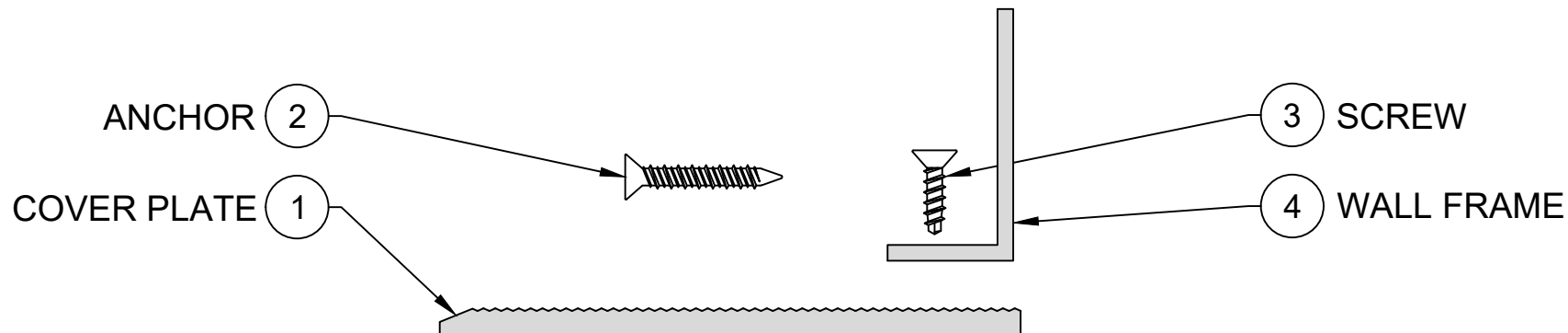
RIGHTS OF DESIGN

All rights of design, detail, engineering and/or invention contained herein are the property of MM Systems and hereby reserved and are not to be reproduced or provided to any other party. MM Systems reserves the right to amend or withdraw any information contained herein without notice and will not be liable for any inaccuracy or ambiguity of said information.

Surface Mounted Metal Cover System

AFP-C Series

Drawn by: LRM	Scale: NTS	Drawing Number:
SHT. 2 OF 3	Issue Date: 05/06/2025	#19000-02



EXPLODED VIEW ▲

PART NUMBERS ▼

Locator	Part Component	AFP-C-100	AFP-C-200	AFP-C-300	AFP-C-400	AFP-C-500	AFP-C-600	AFP-C-700
1	Cover Plate	7158#HFP-0302 -00-18	7158#HFP-0302 -00-18	7158#HFP-0410 -00-18	7158#HFP-0602 -00-18	7158#HFP-0710 -00-18	7158#HFP-0902 -00-18	7158#HFP-1010 -00-18
2	Anchor	9405	9405	9405	9405	9405	9405	9405
3	Screw	9554	9554	9554	9554	9554	9554	9554
4	Wall Frame	8404-M-10	8404-M-10	8404-M-10	8404-M-10	8404-M-10	8404-M-10	8404-M-10



50 MM WAY
PENDERGRASS, GA. 30567
706-824-7500 PHONE

www.mm.systems

For Spec-Data, Install Guides, and other data visit www.mm.systems

RIGHTS OF DESIGN

All rights of design, detail, engineering and/or invention contained herein are the property of MM Systems and hereby reserved and are not to be reproduced or provided to any other party. MM Systems reserves the right to amend or withdraw any information contained herein without notice and will not be liable for any inaccuracy or ambiguity of said information.

Surface Mounted Metal Cover System

AFP-C Series

Drawn by:

LRM

Scale:

NTS

Drawing Number:

SHT. 3 OF 3

Issue Date:
05/06/2025

#19000-02